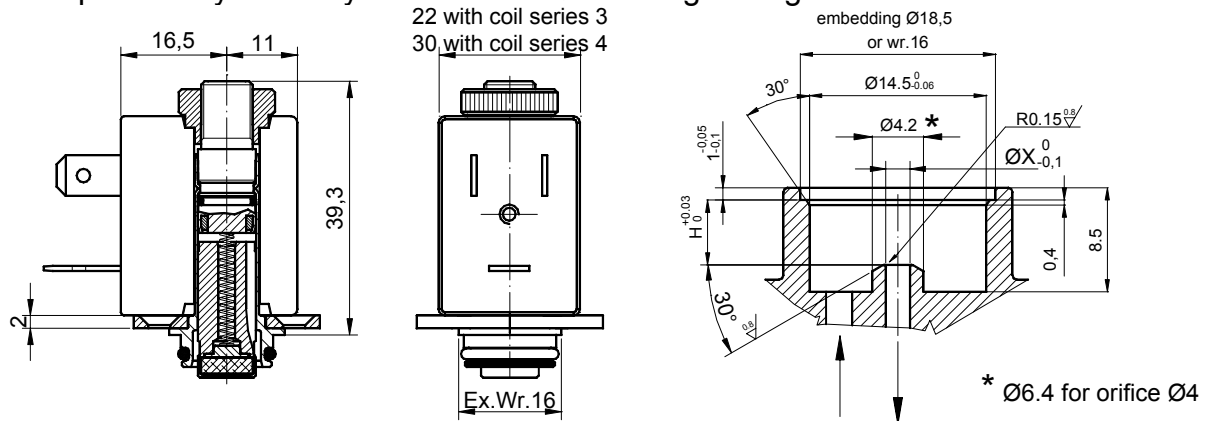


## DESCRIPTION

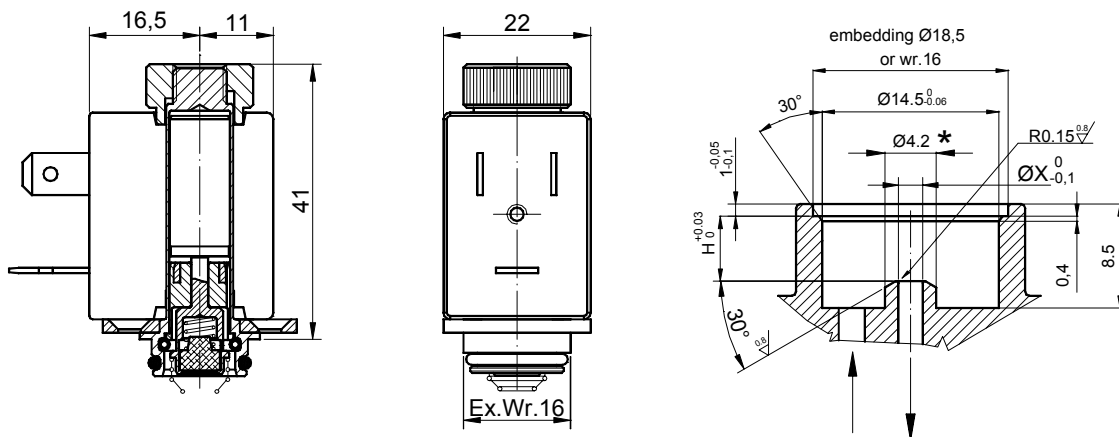
Solenoid pilot 2 way normally closed. Tube Ø10 flange fixing.



CODE		Ø X mm	H mm	Differential pressure bar			Nominal power			Coil		Seal	Temp. range °C
Brass Tube	S.Steel Tube			Min	Max		AC Inrush	VA Holding	DC Watt	Series	Width		
					AC	DC							
E570 .....	E572.....	1.2	5	0	25	25	12	8	6.5	3	22	NBR=B EPDM=E FPM=V	-10 +90  <140  -10 +130
		1.5	5.1	0	16	16	12	8	6.5	3	22		
		2	5.2	0	12	10	12	8	6.5	3	22		
		2.5	5.4	0	8	5.5	12	8	6.5	3	22		
		3.1	5.5	0	5	2	12	8	6.5	3	22		
E570...40	E572...40	4	5.6	0	4	1.5	12	8	6.5	3	22		
E570 .....	E572.....	2	5.2	0	25	15	15	11	5	4	30		
		2.5	5.4	0	16	8	15	11	5	4	30		
		3.1	5.5	0	8	4	15	11	5	4	30		
E570...40	E572...40	4	5.6	0	5	2.5	15	11	5	4	30		

## DESCRIPTION

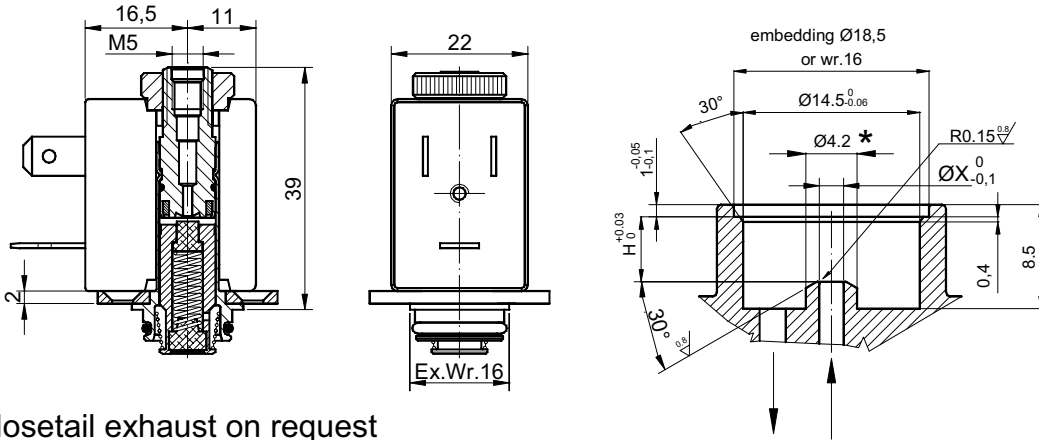
Solenoid pilot 2 way normally open. Tube Ø10 flange fixing.



CODE		Ø X mm	H mm	Differential pressure bar			Nominal power			Coil		Seal	Temp. range °C
Brass Tube	S.Steel Tube			Min	Max		AC Inrush	VA Holding	DC Watt	Series	Width		
					AC	DC							
E575 .....		1.2	5	0	19	19	12	8	6.5	3	22	NBR=B EPDM=E FPM=V	-10 +90  <+140  -10 +130
		1.5	5.1	0	14	14	12	8	6.5	3	22		
		2	5.2	0	8	8	12	8	6.5	3	22		
		2.5	5.4	0	4.5	4.5	12	8	6.5	3	22		
		3.1	5.5	0	2.5	2.5	12	8	6.5	3	22		

**DESCRIPTION**

Solenoid pilot 3 way normally closed. Tube Ø10 flange fixing.

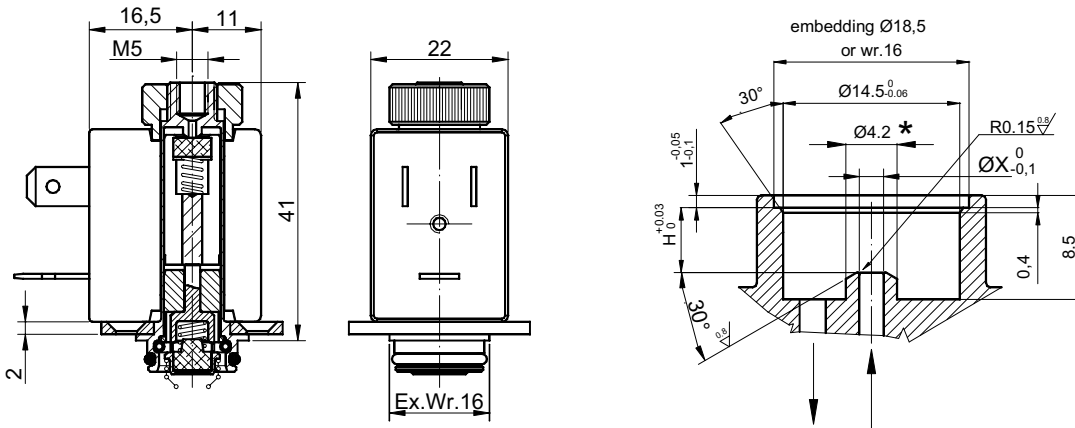


Hosetail exhaust on request

CODE		Ø X mm	Ø exh. mm	H mm	Differential pressure bar			Nominal power			Coil		Seal	Temp. Range °C
Brass Tube	S.Steel Tube				Min	Max		AC Inrush	VA Holding	DC Watt	Series	Width		
						AC	DC							
E580 .....	E582.....	1.2	1.5	5	0	15	15	12	8	6.5	3	22	NBR=B	-10 +90
		1.5	1.5	5.1	0	10	10	12	8	6.5	3	22	EPDM=E	<140
		2	1.7	5.2	0	6	6	12	8	6.5	3	22	FPM=V	-10 +130

**DESCRIPTION**

Solenoid pilot 3 way normally open. Tube Ø10 flange fixing.



CODE		Ø X mm	Ø exh. mm	H mm	Differential pressure bar			Nominal power			Coil		Seal	Temp. range °C
Brass Tube	S.Steel Tube				Min	Max		AC Inrush	VA Holding	DC Watt	Series	Width		
						AC	DC							
E585 .....		1.2	1.5	5	0	12	8	12	8	6.5	3	22	NBR=B	-10 +90
		1.5	1.5	5.1	0	9	6	12	8	6.5	3	22	EPDM=E	<140
														FPM=V