

DESCRIPTION

Solenoid valve 2 way normally open direct acting poppet type.

CONSTRUCTION

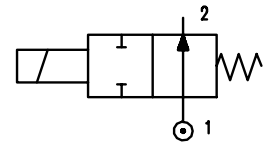
Body	Brass
Armature tube	Brass
Plunger and core	Stainless steel
Springs	Stainless steel
Seal material	NBR
	FPM
	EPDM



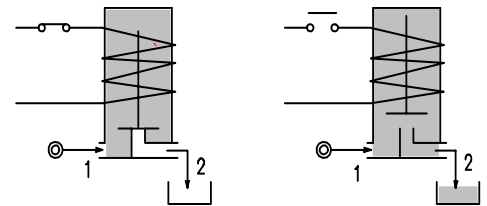
2

FEATURES

Maximum allowable pressure 50 bar *
 Maximum fluid viscosity 25cSt (mm²/s)
 Ambient temperature : with class F coil F -10°C +55°C
 with class H coil -10°C +80°C
 Universal mounting position



OPTIONS : Stainless steel armature tube
 Electroless nickel plating



CODE ① ②	Flange	Orifice mm	KV m ³ /h	Differential pressure bar			Nominal power			Coil		Seal ①	Temp. range °C
				Min	Max		AC Inrush	VA Holding	DC Watt	Series	Width		
					AC	DC							
E214X.....15///.....	Q 32	1.5	0.07	0	23	23	20	15	10	2	30	NBR=B	-10 +90
E214X.....20///.....	Q 32	2	0.1	0	17	17	20	15	10	2	30		
E214X.....25///.....	Q 32	2.5	0.15	0	12	12	20	15	10	2	30	EPDM=E	<+140
E214X.....35///.....	Q 32	3.5	0.32	0	7	4 ③	20	15	10	2	30		
E214X.....45///.....	Q 32	4.5	0.41	0	4.5	3 ③	20	15	10	2	30	FPM=V	-10 +130
E214X.....52///.....	Q 32	5.2	0.47	0	3	2.2 ③	20	15	10	2	30		

① Seal Example: E214XV52///20B FPM seal
 ② Coil Coil 24V 50/60Hz

③ Only for the DC on the orifices Ø 3,5 - 4,5 - 5,2 the code is D214...../5/.....

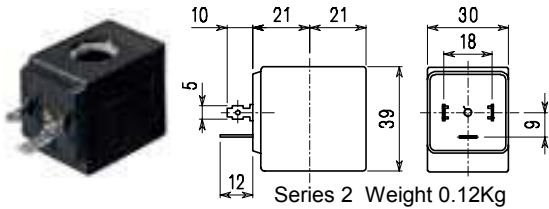
Solenoid valve supplied without fixing screws

* REMARK: The maximum allowable pressure PS for steam is 2,5bar (gauge pressure)

COILS	Alternating Current ~50/60Hz Volt							Direct current Volt			Electrical connection	Connectors
	12	24	48	110	220 230	240	380	12	24	48		
Series 2 Width 30 Code ②	20A	20B	20C	20D	20E	20F	20G	200	201	202	DIN 43650A	PG9 code 10349000

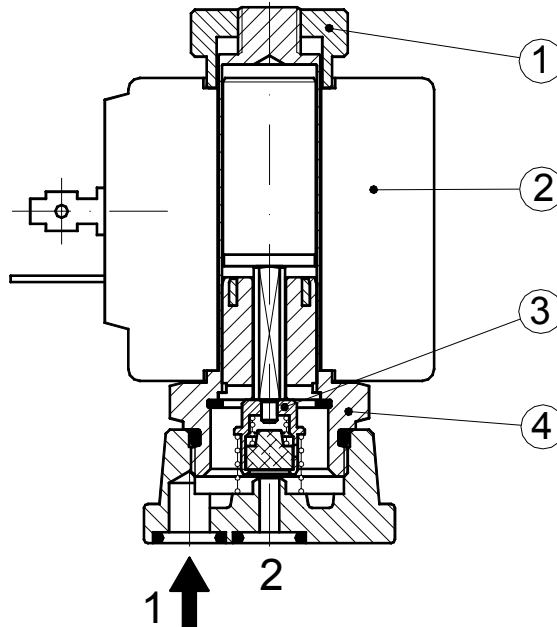
DESCRIPTION
 Class F insulation
 Voltage tolerance
 AC +15% -10%
 DC ± 10%
 Protection class
 IP65 with connector fitted
 IP00 without connector
 Continuous service ED100%

OPTIONS
 Class H insulation
 Cable attached
 Special coil voltages
 Special coil powers

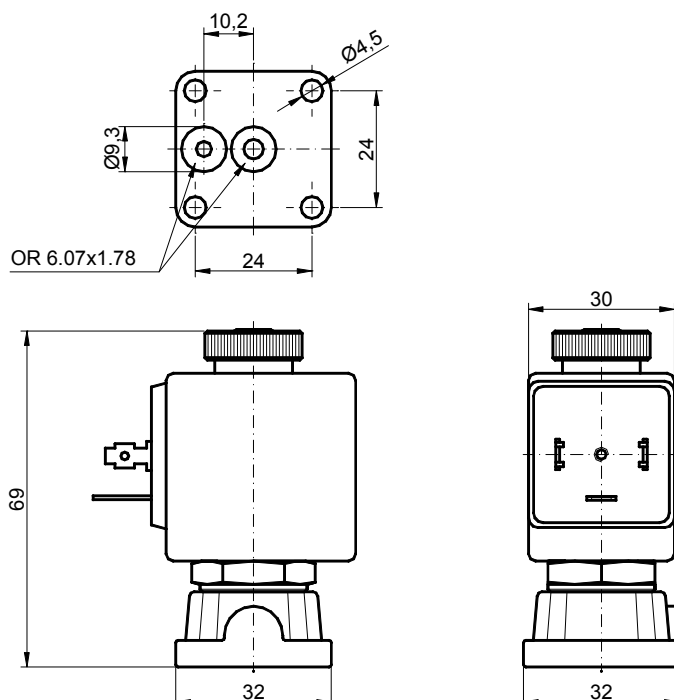


SPARE PARTS LIST

1. Coil fixing nut
2. Coil
3. Seal assembly
4. Armature tube with core



OVERALL DIMENSION



Weight = 0.25 Kg