

DESCRIPTION

Solenoid valve 3 way
Direct acting poppet type

CONSTRUCTION

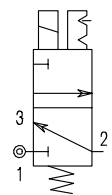
Body: Acetal copolymer
Internal parts: Acetal copolymer – Stainless steel
Seal material: NBR



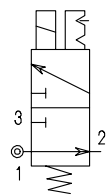
FEATURES

Fixing method : M2.5 screws
Max torque 0.5Nm
Universal mounting position
Fluid temperature : 50°C max
Ambient temperature : -15°C +50°C
Fluid : Air, Neutral gases
Response time : 10-15ms
Manual override : Enclosed bi-stable function

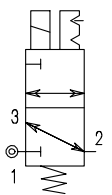
3/2 NC



3/2 NO



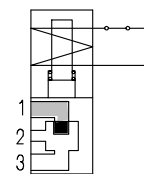
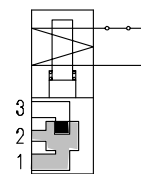
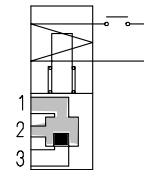
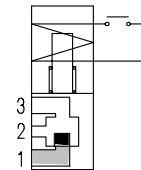
3/2 U



3

ELECTRICAL OPERATING FEATURES

Duty cycle : ED100%
Insulation class : F (155°C)
Voltage tolerance : ±10%
Protection class : Cables IP65
Fast-on IP00
With connector fitted IP65
Electrical connection : Cables (L=300mm)
AMP 2.8x0.5
DIN 43650/C



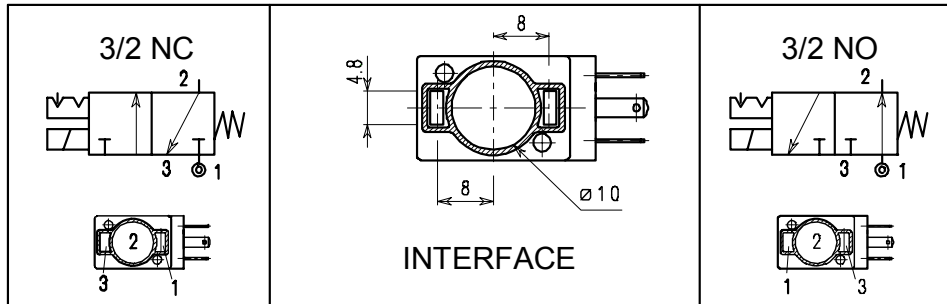
Connection	Orifice mm		Pa=6bar NI/1' Nominal rate +p=1bar	Differential pressure bar		Power consumption at 20°C			CODE	
	1→2	2→3		Min	Max	Alternating current VA		Direct current Watt	Alternating current	Direct current
NC Normally closed										
Flange	0.8	0.9	23	0	10	---	---	1.5	E345XB08	D345XB08
Flange	1.2	1.3	29	0	10	3.6	2.5	2.5	E345XB12	D345XB12
Flange	1.5	1.6	43	0	6	3.6	2.5	2.5	E345XB15	D345XB15
NA Normally open										
Flange	1	1.2	26	0	8	3.6	2.5	2.5	E346XB10	D346XB10
U Universal										
Flange	1.5	1.6	43	0	2.5	3.6	2.5	2.5	E347XB15	D347XB15

COIL CODE

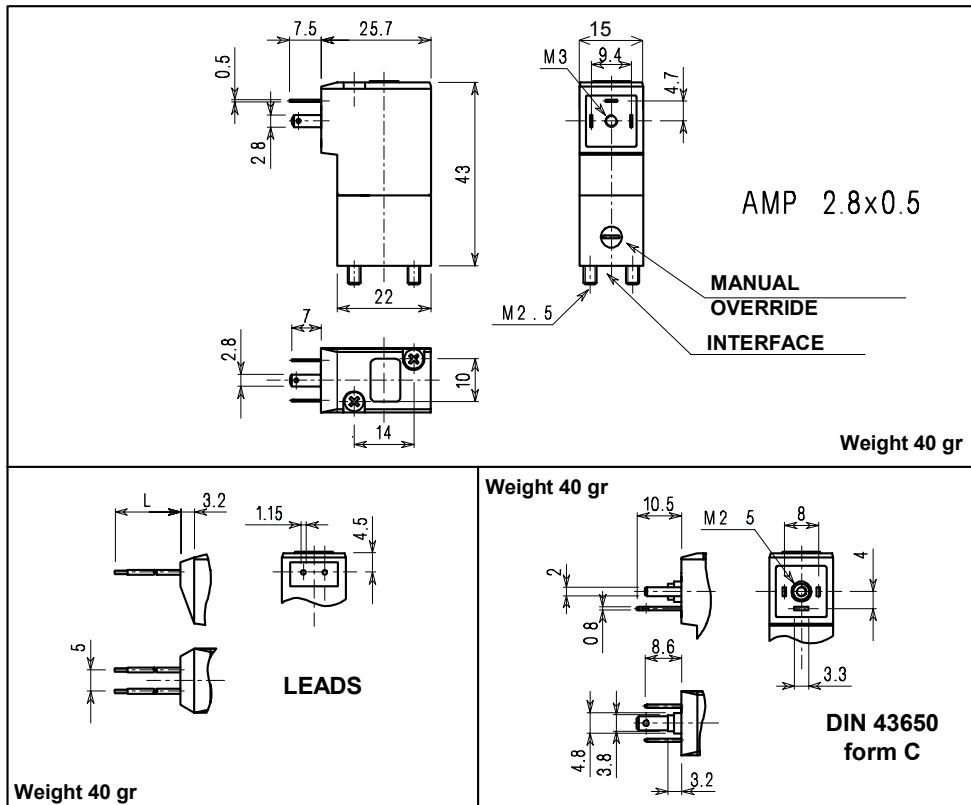
VOLTAGE	AMP 2.8 x 0.5			DIN 43650 C form			CABLE		
	50/60Hz	1.5WDC	2.5WDC	50/60Hz	1.5WDC	2.5WDC	50/60Hz	1.5WDC	2.5WDC
12	---	106970	106950	---	109020	109040	---	107010	106990
24	107030	106980	106960	108990	109030	109050	107040	107020	107000
110	107060	---	---	109000	---	---	---	---	---
220/230	107050	---	---	109010	---	---	---	---	---

P.S. 1,5W power available on Ø0.8 orifice only

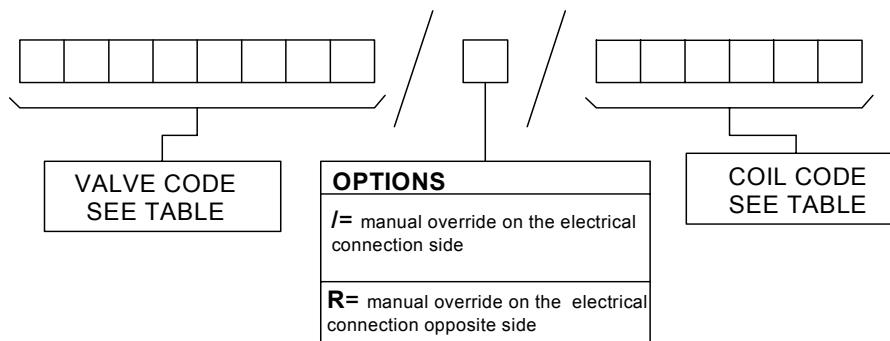
CONNECTION



OVERALL DIMENSIONS



TYPE NUMBER COMPOSITION



Example: D345XB12///10960 3 way NC-24VDC 2,5W. Electrical connection AMP2.8x0.5 is on the opposite side of the manual override.