

### DESCRIPTION

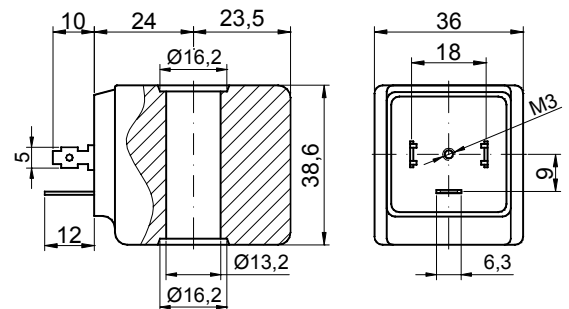
Encapsulated coil incorporating the magnetic circuit.  
 Fixing by means of a central nut.  
 Electrical connection according to DIN 43650 A.



### CONSTRUCTION

Encapsulation:  
 Class H                      Fibre-glass Polyarylamide

Magnetic circuit:      Zinc-plated steel  
 Windings:              Copper covered with  
                                  class H insulation



**OPTIONS :** Electrical connection through cable  
 Special coil powers  
 Special coil voltages  
 Self-extinguish

CODE Insulation class H	Alternating Current Frequency 50/60Hz Voltage Volt	Direct Current Voltage Volt	Power ①		Voltage tolerance		Connector	Service ED
			Alternating Current VA	Direct Current Watt	Alternating Current	Direct Current		
52A	12	---	30	27	+15%	±10%	10349000	100%
52B	24	---						
52C	48	---						
52D	110	---						
52E	220/230	---						
52F	240	---						
52G	380	---						
520	---	12	-10%			10349001		
521	---	24						
522	---	48						10349060

① Considering nominal voltage and an ambient temperature of 20°C