

FIL+REG+LUB Newdeal

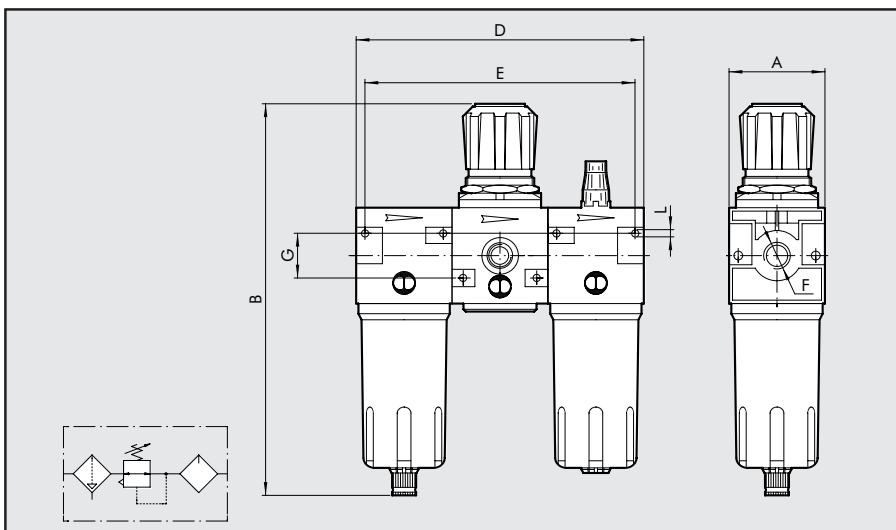
Highly reliable heavy-duty piston-operated FRL unit.

- Stability of the set pressure as the upstream pressure varies
- Metal bowl with external sight glass
- Semi-automatic and automatic condensate drain
- Lubrication proportional to flow rate
- Micrometric lubrication regulation
- Activation guaranteed with low flow rates



| TECHNICAL DATA | FRL ND 1/4" | FRL ND 3/8" | FRL ND 1/2" | FRL ND 3/4" | FRL ND 1" |
|---|--|-------------|-------------|-------------|-----------|
| Threaded port | 1/4" | 3/8" | 1/2" | 3/4" | 1" |
| Setting range | 0÷2 - 0÷4 - 0÷8 - 0÷12 bar | | | | |
| Degree of filtration | 4µm 20µm 50µm | | | | |
| Max. inlet pressure | MPa | | | | |
| | bar | | | | |
| | psi | | | | |
| Flow rate at 6.3 bar (0.63 MPa-91 psi) | 140 | 1300 | 1900 | 2000 | |
| ΔP 0.5 bar (0.05 MPa - 7 psi) | 5 | 46 | 68 | 71 | |
| Flow rate at 6.3 bar (0.63 MPa-91 psi) | 400 | 2000 | 3600 | 3700 | |
| ΔP 1 bar (0.1 MPa - 14 psi) | 14.2 | 71 | 128 | 132 | |
| Fluid | Compressed air | | | | |
| Max temperature at 1 MPa; 10 bar; 145 psi | °C | | | | |
| | °F | | | | |
| Weight | 1 | 2.5 | 4 | | |
| Wall fixing screws | M4x40 | M4x55 | M6x75 | | |
| Note on use | The maximum inlet pressure for the version with RA automatic condensate drainage must not exceed 10 bar. | | | | |

DIMENSIONS



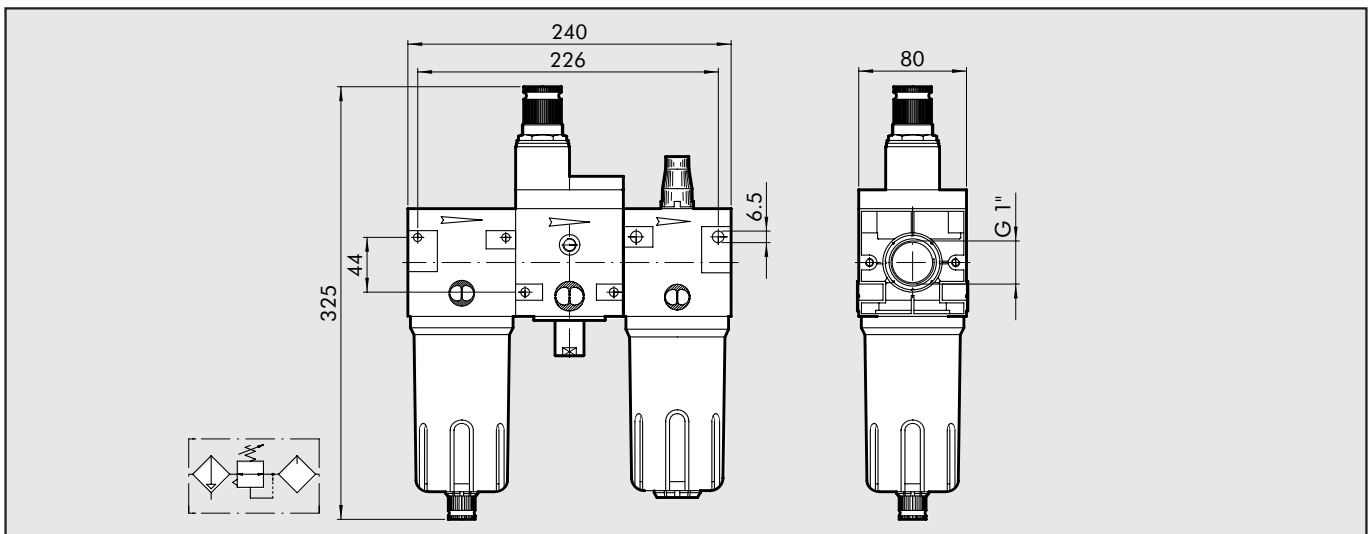
| | G 1/4" | G 3/8" | G 1/2" | G 3/4" | G 1" |
|---|---------|---------|---------|--------|------|
| A | 42 | 60 | 80 | | |
| B | 190 | 245 | 332 | | |
| D | 126 | 180 | 240 | | |
| E | 116 | 166 | 226 | | |
| G | 20 | 28 | 44 | | |
| L | M4 hole | M4 hole | M6 hole | | |

UNITS - FRPL 3/4" and 1" Newdeal

| TECHNICAL DATA | FRPL ND 3/4 | FRPL ND 1 |
|---|--|-----------|
| Threaded port | 3/4" | 1" |
| Setting range | 0 ÷ 8 - 0 ÷ 12 | |
| Max. temperature at 1 MPa, 10 bar, 145 psi | 50°C-122°F | |
| Degree of filtration | 4µm; 20µm; 50µm; | |
| Max. inlet pressure | MPa | 1.3 |
| | bar | 13 |
| | psi | 188 |
| Flow rate at 6.3 bar (0.63 MPa ÷ 91 psi) NI/min | 7500 | |
| ΔP 0.5 bar (0.05 MPa ÷ 7 psi) | scfm | |
| | 265 | |
| Flow rate at 6.3 bar (0.63 MPa ÷ 91 psi) NI/min | 8500 | |
| ΔP 1 bar (0.1 MPa ÷ 14 psi) | scfm | |
| | 300 | |
| Fluid | Compressed air | |
| Weight | Kg | 5.2 |
| Wall fixing screws | M6x75 | |
| Drain | Manual - Semi-automatic | |
| Bowl capacity | cm ³ | 170 |
| Note on use | The maximum inlet pressure for the version with RA automatic condensate drainage must not exceed 10 bar. | |



DIMENSIONS



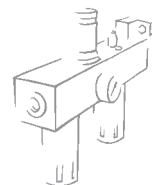
KEY TO CODES

| FRPL | 1 | 4 | 02 | RMSA |
|---------|---------------|------------------------|---------------|---------------|
| ELEMENT | THREADED PORT | DEGREE OF FILTRATION | SETTING RANGE | TYPE OF DRAIN |
| FRPL | 1" 3/4" | 4 µm 20 µm 50 µm | 08 012 | RMSA RA |

ORDERING CODES

| Code | Description | Code | Description |
|---------|----------------------|---------|--------------------|
| 1528007 | FRPL 3/4 4 08 RMSA | 1628007 | FRPL 1 4 08 RMSA |
| 1528019 | FRPL 3/4 4 08 RA | 1628019 | FRPL 1 4 08 RA |
| 1528010 | FRPL 3/4 4 012 RMSA | 1628010 | FRPL 1 4 012 RMSA |
| 1528022 | FRPL 3/4 4 012 RA | 1628022 | FRPL 1 4 012 RA |
| 1528008 | FRPL 3/4 20 08 RMSA | 1628008 | FRPL 1 20 08 RMSA |
| 1528020 | FRPL 3/4 20 08 RA | 1628020 | FRPL 1 20 08 RA |
| 1528011 | FRPL 3/4 20 012 RMSA | 1628011 | FRPL 1 20 012 RMSA |
| 1528023 | FRPL 3/4 20 012 RA | 1628023 | FRPL 1 20 012 RA |
| 1528009 | FRPL 3/4 50 08 RMSA | 1628009 | FRPL 1 50 08 RMSA |
| 1528021 | FRPL 3/4 50 08 RA | 1628021 | FRPL 1 50 08 RA |
| 1528012 | FRPL 3/4 50 012 RMSA | 1628012 | FRPL 1 50 012 RMSA |
| 1528024 | FRPL 3/4 50 012 RA | 1628024 | FRPL 1 50 012 RA |

RMSA: Manual/semi-auto drain
 RA: Automatic float-type drain, operating irrespective of the pressure and flow rate.
 FRPL: Filter + pilotable regulator + lubricator



Newdeal FR+LUB UNITS

- Heavy duty and reliable piston-operated FR+L unit.
- Stability of the set pressure as the upstream pressure varies
 - Metal bowl with external sight glass
 - Semi-automatic and automatic condensate drain
 - Quantity of lubricant proportioned to air flow
 - Micrometric lubrication regulation
 - Activation guaranteed with low flow rates



| TECHNICAL DATA | | FR+L ND 1/4" | FR+L ND 3/8" | FR+L ND 1/2" |
|---|--------|--|--------------|--------------|
| Threaded port | | G 1/4" | G 3/8" | G 1/2" |
| Setting range | bar | 0 ÷ 2 - 0 ÷ 4 - 0 ÷ 8 - 0 ÷ 12 | | |
| Degree of filtration | | 4µm 20µm 50µm | | |
| Max. inlet pressure | MPa | 1.8 | | |
| | bar | 18 | | |
| | psi | 261 | | |
| Flow rate at 6.3 bar (0.63 MPa ÷ 91 psi) | NI/min | 150 | | 1300 |
| ΔP 0.5 bar (0.05 MPa ÷ 7 psi) | scfm | 5.3 | | 46 |
| Flow rate at 6.3 bar (0.63 MPa ÷ 91 psi) | NI/min | 500 | | 2200 |
| ΔP 1 bar (0.1 MPa ÷ 14 psi) | scfm | 18 | | 78 |
| Fluid | | Compressed air | | |
| Max temperature at 1 MPa; 10 bar; 145 psi | °C | 50 | | |
| | °F | 122 | | |
| Weight | Kg | 0.9 | | 2 |
| Wall fixing screws | | M4x40 | | M4x55 |
| Note on use | | The maximum inlet pressure for the version with RA automatic condensate drainage must not exceed 10 bar. | | |

| DIMENSIONS | | G 1/4" | G 3/8" | G 1/2" |
|------------|---|---------|--------|---------|
| | A | 42 | | 60 |
| | B | 190 | | 245 |
| | D | 84 | | 120 |
| | E | 76 | | 109 |
| | G | 10 | | 14 |
| | L | M4 hole | | M4 hole |
| | F | | | |

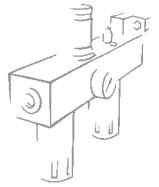
KEY TO CODES

| FR+L ELEMENT | 1/4 THREADED PORT | 4µm DEGREE OF FILTERING | 08 SETTING RANGE | RMSA CONDENSATE DRAIN | |
|--------------|-------------------|-------------------------|------------------|----------------------------------|---|
| FR+L | 1/4 3/8 1/2 | 4µm 20µm 50µm | 08 012 | RMSA SAC RMSA SAC RA | RMSA: Manual/semi-auto drain SAC: Automatic drain. Operates by depression - requires variable air take-offs. RA: Automatic drain. Float-type operation irrespective of the pressure and flow rate. |

| ORDERING CODES | | NOTES |
|----------------|----------------------------|-------|
| Code | Description | |
| 1226029 | FR+L 1/4 4 08 RMSA N TMV | |
| 1226409 | FR+L 1/4 4 08 SAC N TMV | |
| 1226053 | FR+L 1/4 4 012 RMSA N TMV | |
| 1226413 | FR+L 1/4 4 012 SAC N TMV | |
| 1226030 | FR+L 1/4 20 08 RMSA N TMV | |
| 1226410 | FR+L 1/4 20 08 SAC N TMV | |
| 1226054 | FR+L 1/4 20 012 RMSA N TMV | |
| 1226414 | FR+L 1/4 20 012 SAC N TMV | |
| 1226032 | FR+L 1/4 50 08 RMSA N TMV | |
| 1226412 | FR+L 1/4 50 08 SAC N TMV | |
| 1226056 | FR+L 1/4 50 012 RMSA N TMV | |
| 1226416 | FR+L 1/4 50 012 SAC N TMV | |
| 1326029 | FR+L 3/8 4 08 RMSA N TMV | |
| 1326409 | FR+L 3/8 4 08 SAC N TMV | |
| 1326053 | FR+L 3/8 4 012 RMSA N TMV | |
| 1326413 | FR+L 3/8 4 012 SAC N TMV | |
| 1326030 | FR+L 3/8 20 08 RMSA N TMV | |
| 1326034 | FR+L 3/8 20 08 RA N TMV | |
| 1326410 | FR+L 3/8 20 08 SAC N TMV | |
| 1326054 | FR+L 3/8 20 012 RMSA N TMV | |
| 1326058 | FR+L 3/8 20 012 RA N TMV | |
| 1326414 | FR+L 3/8 20 012 SAC N TMV | |
| 1326032 | FR+L 3/8 50 08 RMSA N TMV | |
| 1326412 | FR+L 3/8 50 08 SAC N TMV | |
| 1326056 | FR+L 3/8 50 012 RMSA N TMV | |
| 1326416 | FR+L 3/8 50 012 SAC N TMV | |
| 1426029 | FR+L 1/2 4 08 RMSA N TMV | |
| 1426409 | FR+L 1/2 4 08 SAC N TMV | |
| 1426053 | FR+L 1/2 4 012 RMSA N TMV | |
| 1426413 | FR+L 1/2 4 012 SAC N TMV | |
| 1426030 | FR+L 1/2 20 08 RMSA N TMV | |
| 1426034 | FR+L 1/2 20 08 RA N TMV | |
| 1426410 | FR+L 1/2 20 08 SAC N TMV | |
| 1426054 | FR+L 1/2 20 012 RMSA N TMV | |
| 1426058 | FR+L 1/2 20 012 RA N TMV | |
| 1426414 | FR+L 1/2 20 012 SAC N TMV | |
| 1426032 | FR+L 1/2 50 08 RMSA N TMV | |
| 1426412 | FR+L 1/2 50 08 SAC N TMV | |
| 1426056 | FR+L 1/2 50 012 RMSA N TMV | |
| 1426416 | FR+L 1/2 50 012 SAC N TMV | |

New deal

V3V+FIL+REG+LUB UNITS



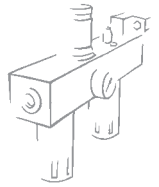
- Highly reliable heavy-duty piston-operated FRFL unit.
- Stability of the set pressure as the upstream pressure varies
 - Metal bowl with external sight glass
 - Semi-automatic and automatic condensate drain
 - Quantity of lubricant proportionate to the air flow
 - Micrometric lubrication regulation
 - Activation guaranteed at low air flows
 - Quick filling and drainage of the downstream circuit with the V3V element



| TECHNICAL DATA | | VFRL ND 1/4" | VFRL ND 3/8" | VFRL ND 1/2" |
|--|--------|--|--------------|--------------|
| Threaded port | | G 1/4" | G 3/8" | G 1/2" |
| Setting range | bar | 0 ÷ 2 - 0 ÷ 4 - 0 ÷ 8 - 0 ÷ 12 | | |
| Degree of filtration | | 4µm 20µm 50µm | | |
| Max. inlet pressure | MPa | 1.8 | | |
| | bar | 18 | | |
| | psi | 261 | | |
| Flow rate at 6.3 bar (0.63 MPa ÷ 91 psi) | NI/min | 130 | | 800 |
| ΔP 0.5 bar (0.05 MPa ÷ 7 psi) | scfm | 4.6 | | 28 |
| Flow rate at 6.3 bar (0.63 MPa ÷ 91 psi) | NI/min | 390 | | 1700 |
| ΔP 1 bar (0.1 MPa ÷ 14 psi) | scfm | 14 | | 60 |
| Fluid | | Compressed air | | |
| Max. temperature at 1 MPa; 10 bar; 145 psi | °C | 50 | | |
| | °F | 122 | | |
| Weight | Kg | 1.5 | | 3.3 |
| Wall fixing screws | | M4x40 | | M4x55 |
| Note on use | | The maximum inlet pressure for the version with RA automatic condensate drainage must not exceed 10 bar. | | |

| DIMENSIONS | | G 1/4" | G 3/8" | G 1/2" | |
|------------|---|---------|--------|---------|--|
| | A | 42 | | 60 | |
| | B | 190 | | 245 | |
| | D | 168 | | 240 | |
| | E | 158 | | 226 | |
| | G | 20 | | 28 | |
| | L | M4 hole | | M4 hole | |
| | | | | | |
| | | | | | |
| | | | | | |
| | | | | | |

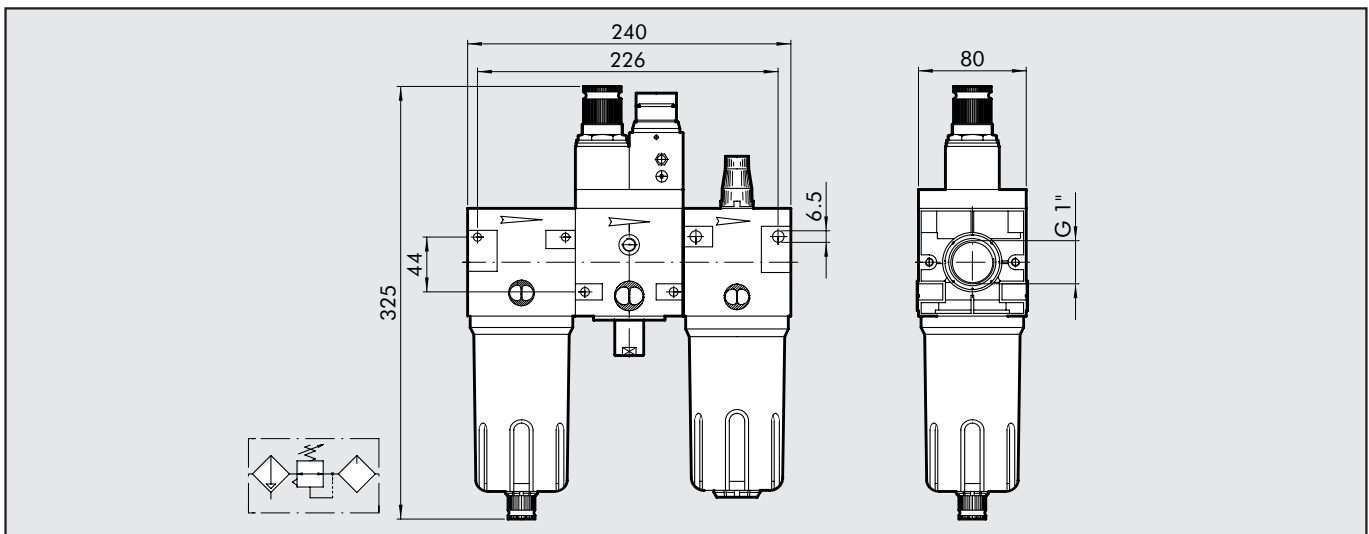
UNITS - FRPVL 3/4" and 1" Newdeal



| TECHNICAL DATA | FRPVL ND 3/4 | FRPVL ND 1 |
|---|--|------------|
| Threaded port | 3/4" | 1" |
| Setting range | 0 ÷ 8 - 0 ÷ 12 | |
| Max. temperature at 1 MPa, 10 bar, 145 psi | 50°C-122°F | |
| Degree of filtration | 4µm; 20µm; 50µm; | |
| Max. inlet pressure | MPa | 1.3 |
| | bar | 13 |
| | psi | 188 |
| Flow rate at 6.3 bar (0.63 MPa ÷ 91 psi) NI/min | 7500 | |
| ΔP 0.5 bar (0.05 MPa ÷ 7 psi) | 265 | |
| Flow rate at 6.3 bar (0.63 MPa ÷ 91 psi) NI/min | 8500 | |
| ΔP 1 bar (0.1 MPa ÷ 14 psi) | 300 | |
| Fluid | Compressed air | |
| Weight | Kg | 3.8 |
| Wall fixing screws | M6x75 | |
| Drain | Manual - Semi-automatic | |
| Bowl capacity | cm ³ | 170 |
| Note on use | The maximum inlet pressure for the version with RA automatic condensate drainage must not exceed 10 bar. | |



DIMENSIONS



KEY TO CODES

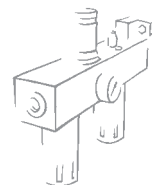
| FRPVL ELEMENT | 1 THREADED PORT | 4 DEGREE OF FILTRATION | 02 SETTING RANGE | RMSA TYPE OF DRAIN |
|---------------|--------------------|---------------------------|---------------------|-----------------------|
| FRPVL | 1" 3/4" | 4 µm 20 µm 50 µm | 08 012 | RMSA RA |

ORDERING CODES

| Code | Description | Code | Description |
|---------|-----------------------|---------|---------------------|
| 1529007 | FRPVL 3/4 4 08 RMSA | 1629007 | FRPVL 1 4 08 RMSA |
| 1529019 | FRPVL 3/4 4 08 RA | 1629019 | FRPVL 1 4 08 RA |
| 1529010 | FRPVL 3/4 4 012 RMSA | 1629010 | FRPVL 1 4 012 RMSA |
| 1529022 | FRPVL 3/4 4 012 RA | 1629022 | FRPVL 1 4 012 RA |
| 1529008 | FRPVL 3/4 20 08 RMSA | 1629008 | FRPVL 1 20 08 RMSA |
| 1529020 | FRPVL 3/4 20 08 RA | 1629020 | FRPVL 1 20 08 RA |
| 1529011 | FRPVL 3/4 20 012 RMSA | 1629011 | FRPVL 1 20 012 RMSA |
| 1529023 | FRPVL 3/4 20 012 RA | 1629023 | FRPVL 1 20 012 RA |
| 1529009 | FRPVL 3/4 50 08 RMSA | 1629009 | FRPVL 1 50 08 RMSA |
| 1529021 | FRPVL 3/4 50 08 RA | 1629021 | FRPVL 1 50 08 RA |
| 1529012 | FRPVL 3/4 50 012 RMSA | 1629012 | FRPVL 1 50 012 RMSA |
| 1529024 | FRPVL 3/4 50 012 RA | 1629024 | FRPVL 1 50 012 RA |

RMSA: Manual/semi-auto drain
 RA: Automatic float-type drain, operating irrespective of the pressure and flow rate.
 FRPVL: Filter + pilotable regulator with cut-off valve + lubricator

N.B.: The V3V in the unit is manually operated.



KEY TO CODES

| VFR+L ELEMENT | 1/4 THREADED PORT | 4µm DEGREE OF FILTERING | 08 SETTING RANGE | RMSA CONDENSATE DRAIN |
|------------------|-------------------------|-------------------------------|------------------------|-----------------------------|
| VFR+L | 1/4 | 4µm | 08 | RMSA |
| | 3/8 | 20µm | 012 | SAC |
| | 1/2 | 50µm | | RMSA |
| | | | | SAC |
| | | | | RA |

RMSA: Manual/semi-auto drain
SAC: Automatic drain. Operates by depression – requires variable air take-offs.
RA: Automatic drain. Float-type operation irrespective of the pressure and flow rate.

ORDERING CODES

| Code | Description |
|---------|-----------------------------|
| 1272029 | VFR+L 1/4 4 RMSA 08 N TMV |
| 1272509 | VFR+L 1/4 4 SAC 08 N TMV |
| 1272053 | VFR+L 1/4 4 RMSA 012 N TMV |
| 1272513 | VFR+L 1/4 4 SAC 012 N TMV |
| 1272030 | VFR+L 1/4 20 RMSA 08 N TMV |
| 1272510 | VFR+L 1/4 20 SAC 08 N TMV |
| 1272054 | VFR+L 1/4 20 RMSA 012 N TMV |
| 1272514 | VFR+L 1/4 20 SAC 012 N TMV |
| 1272032 | VFR+L 1/4 50 RMSA 08 N TMV |
| 1272512 | VFR+L 1/4 50 SAC 08 N TMV |
| 1272056 | VFR+L 1/4 50 RMSA 012 N TMV |
| 1272516 | VFR+L 1/4 50 SAC 012 N TMV |
| 1372029 | VFR+L 3/8 4 RMSA 08 N TMV |
| 1372509 | VFR+L 3/8 4 SAC 08 N TMV |
| 1372053 | VFR+L 3/8 4 RMSA 012 N TMV |
| 1372513 | VFR+L 3/8 4 SAC 012 N TMV |
| 1372030 | VFR+L 3/8 20 RMSA 08 N TMV |
| 1372034 | VFR+L 3/8 20 RA 08 N TMV |
| 1372510 | VFR+L 3/8 20 SAC 08 N TMV |
| 1372054 | VFR+L 3/8 20 RMSA 012 N TMV |
| 1372060 | VFR+L 3/8 20 RA 012 N TMV |
| 1372514 | VFR+L 3/8 20 SAC 012 N TMV |
| 1372032 | VFR+L 3/8 50 RMSA 08 N TMV |
| 1372512 | VFR+L 3/8 50 SAC 08 N TMV |
| 1372056 | VFR+L 3/8 50 RMSA 012 N TMV |
| 1372516 | VFR+L 3/8 50 SAC 012 N TMV |
| 1472029 | VFR+L 1/2 4 RMSA 08 N TMV |
| 1472509 | VFR+L 1/2 4 SAC 08 N TMV |
| 1472053 | VFR+L 1/2 4 RMSA 012 N TMV |
| 1472513 | VFR+L 1/2 4 SAC 012 N TMV |
| 1472030 | VFR+L 1/2 20 RMSA 08 N TMV |
| 1472034 | VFR+L 1/2 20 RA 08 N TMV |
| 1472510 | VFR+L 1/2 20 SAC 08 N TMV |
| 1472054 | VFR+L 1/2 20 RMSA 012 N TMV |
| 1472060 | VFR+L 1/2 20 RA 012 N TMV |
| 1472514 | VFR+L 1/2 20 SAC 012 N TMV |
| 1472032 | VFR+L 1/2 50 RMSA 08 N TMV |
| 1472512 | VFR+L 1/2 50 SAC 08 N TMV |
| 1472056 | VFR+L 1/2 50 RMSA 012 N TMV |
| 1472516 | VFR+L 1/2 50 SAC 012 N TMV |

NOTES

New deal FIL+LUB UNITS

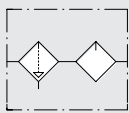
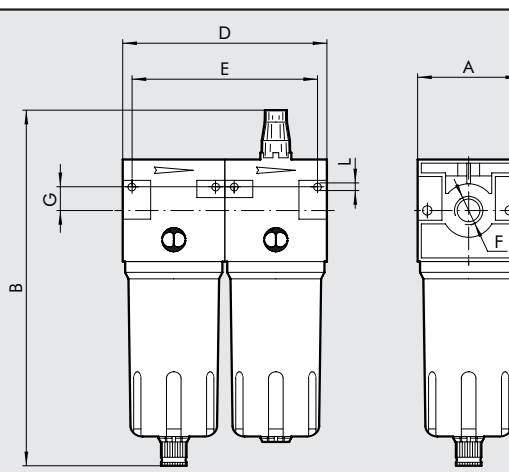
Filter+lubricator unit offering various degrees of filtration and high lubrication stability.

- Metal bowl with external sight glass
- Semi-automatic and automatic condensate drain
- Micrometric lubrication regulation
- Activation guaranteed at low air flows



| TECHNICAL DATA | F+L ND 1/4" | F+L ND 3/8" | F+L ND 1/2" | F+L ND 3/4" | F+L ND 1" |
|--|--|-------------|-------------|-------------|-----------|
| Threaded port | 1/4" | 3/8" | 1/2" | 3/4" | 1" |
| Lubrication | mist | | | | |
| Degree of filtration | 4µm 20µm 50µm | | | | |
| Max. inlet pressure | 1.8 MPa | | | | |
| | 18 bar | | | | |
| | 261 psi | | | | |
| Flow rate at 6.3 bar (0.63 MPa ÷ 91 psi) | 600 NI/min | 2500 | | 8000 | |
| ΔP 0.5 bar (0.05 MPa ÷ 7 psi) | 21 scfm | 89 | | 282 | |
| Flow rate at 6.3 bar (0.63 MPa ÷ 91 psi) | 1000 NI/min | 3500 | | 9500 | |
| ΔP 1 bar (0.1 MPa ÷ 14 psi) | 35.5 scfm | 124 | | 335 | |
| Fluid | Compressed air | | | | |
| Max. temperature at 1 MPa; 10 bar; 145 psi | 50°C | | | | |
| | 122°F | | | | |
| Weight | 0.8 Kg | 1.8 | | 2.5 | |
| Wall fixing screws | M4x40 | M4x55 | | M6x75 | |
| Note on use | The maximum inlet pressure for the version with RA automatic condensate drainage must not exceed 10 bar. | | | | |

| DIMENSIONS | G 1/4" | G 3/8" | G 1/2" | G 3/4" | G 1" |
|------------|---------|---------|---------|--------|------|
| A | 42 | 60 | 80 | | |
| B | 170 | 209 | 273 | | |
| D | 84 | 120 | 160 | | |
| E | 74 | 106 | 146 | | |
| G | 10 | 14 | 22 | | |
| L | M4 hole | M4 hole | M6 hole | | |



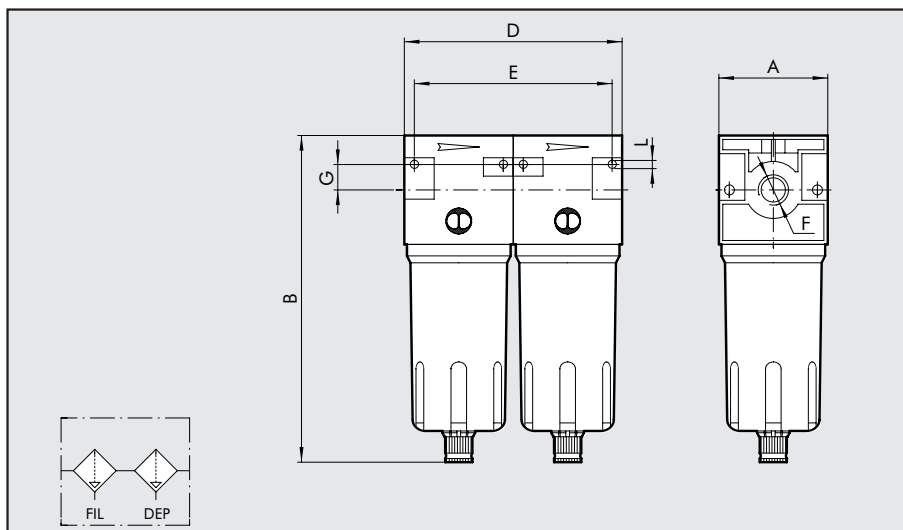
Newdeal FIL+DEP UNITS

Filter+depurator unit for fine filtering followed by purification by coalescence

- Metal bowl with external sight glass
- Semi-automatic condensate drain



| TECHNICAL DATA | | F+D ND 3/8" | F+D ND -1/2" |
|--|-----|--|--------------|
| Threaded port | | 3/8" | 1/2" |
| Degree of filtration | | 4µm | |
| Degree of purification | | 99.97% 0.01µm | |
| Max. inlet pressure | MPa | 1.8 | |
| | bar | 18 | |
| | psi | 261 | |
| Maximum suggested flow rate | | please look at the flow rate curves at page 3.3/24 | |
| Fluid | | Compressed air | |
| Max. temperature at 1 MPa; 10 bar; 145 psi | °C | 50 | |
| | °F | 122 | |
| Weight | Kg | 1.8 | |
| Wall fixing screws | | M4x55 | |
| Note on use | | The maximum inlet pressure for the version with RA automatic condensate drainage must not exceed 10 bar. | |

| DIMENSIONS | | G 3/8" | G 1/2" |
|--|---|---------|--------|
|  | A | 60 | |
| | B | 180 | |
| | D | 120 | |
| | E | 106 | |
| | G | 14 | |
| | L | M4 hole | |

