

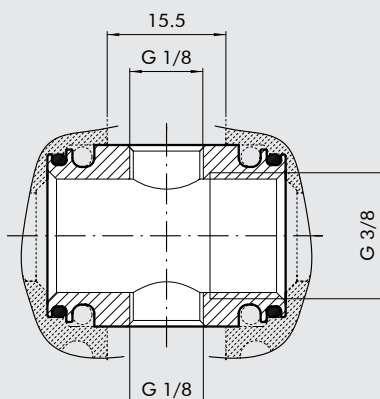
The air take-off is a connecting element that is mounted between two Syntesi® modules. It has two threaded ports, one in the top and one underneath, giving two additional air outlets for use as required. All Syntesi® modules come with two threaded ports, one on the front and one on the back, for use as air take-off.



## TECHNICAL DATA

Threaded port	No. 2 1/8" threads
Flow rate of the air take-off at 6.3 bar (0.63 MPa; 91 psi) ΔP 1 bar (0.1 MPa; 14 psi) NI/min	1550
	55
Mounting position	Between any of two Syntesi® modules
Usage temperature and pressure	Given by the Syntesi® modules it's connected to
Weight	62
Fluid	Compressed air or other inert gases

## DIMENSIONS



## ORDERING CODES

Code	Description
5610P100	PA SY