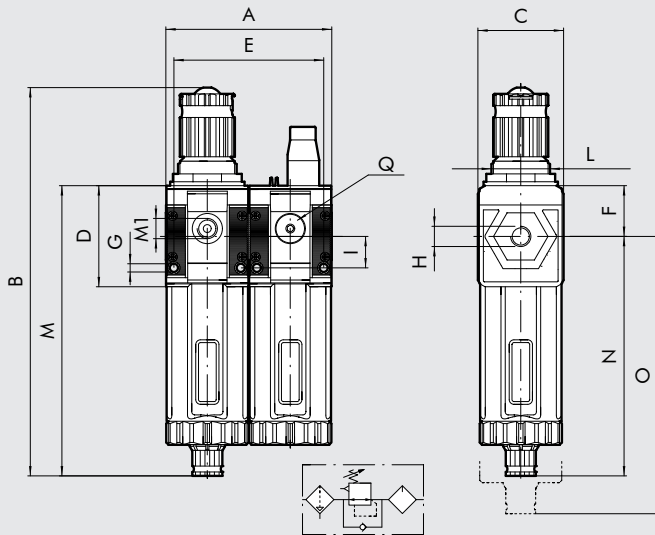


For full details and list of components refer to the sections about filter-regulator and the lubricator.



TECHNICAL DATA				
		1/8"	1/4"	3/8"
Threaded port				
Degree of filtration	µm	5 (yellow) - output air purity class ISO8573-1: 3.7.- 20 (white) - output air purity class ISO8573-1: 4.7.- 50 (blue) - output air purity class ISO8573-1: 5.7.-		
Max. inlet pressure	bar	15		
	MPa	1.5		
	psi	217		
Flow rate at 6.3 bar (0.63 MPa; 91 psi) ΔP 0.5 bar (0.05 MPa; 7 psi) (P In=10 bar)	Nl/min	350		
	scfm	12		
Flow rate at 6.3 bar (0.63 MPa; 91 psi) ΔP 1 bar (0.1 MPa; 14 psi) (P In=10 bar)	Nl/min	1400		
	scfm	50		
Relief valve flow rate at 6.3 bar (0.63 MPa; 91 psi)	Nl/min	70		
	scfm	2.5		
Min/max temperature at 10 bar; 1 MPa; 145 psi	°C	From -20 to +50		
Padlockable knob		Included		
Upstream pressure compensation		Included, via balanced valve		
Weight	g	414	409	400
Fluid		Compressed air or other inert gases		
Mounting position		Vertical		
Additional air take-off, for pressure gauges or fittings		1/8", front and rear		
Additional air take-off flow rate at 6.3 bar (0.63 MPa; 91 psi) ΔP 1 bar (0.1 MPa; 14 psi)	Nl/min	500 - 450		
	scfm	18 - 16		
Filter cup capacity (condensate)	cm ³	30		
Quantity of filled oil	cm ³	60		
Condensate drain		RMSA: drain with manual condensate discharge and automatic discharge at zero pressure RA: automatic drain with condensate discharge, independent of pressure and flow rate Note: the maximum input pressure for the RA version must not exceed 10 bar ISO and UNI FD22 (Energol HPL; Spinesso; Mobil DTE; Tellus oil) No. 2 M4 screws		
Recommended oils				
Wall fixing screws		No. 2 M4 screws		

DIMENSIONS



H (threaded port)		1/8"	1/4"	3/8"
A		84	84	86
B	RMSA		198	
	RA		202	
C			44	
D			51.5	
E			75.3	
F			25.8	
G		Hole for M4 screws		
I			16	
L			M30x1.5	
M	RMSA		148	
	RA		152	
M1 (pressure gauge port)			1/8"	
N	RMSA		122.2	
	RA		126.2	
O	RMSA		202	
	RA		206	
Q (no. 2 additional air takes-off)			1/8"	

KEY TO CODES

56	1	1	B	24	L	10	1
SYNTESI	SIZE	THREADED INPUT CONNECTION	ELEMENT	DEGREE OF FILTRATION, TYPE OF CONDENSATE DRAIN AND SETTING RANGE	ELEMENT	OIL FILLING	THREADED OUTPUT CONNECTION
56 Syntesi	1 Size 1	1 1/8" port 2 1/4" port 3 3/8" port	B Filter-regulator	10 5 µm, RMSA, 0 - 2 bar 20 20 µm, RMSA, 0 - 2 bar 30 50 µm, RMSA, 0 - 2 bar 40 5 µm, RA, 0 - 2 bar 50 20 µm, RA, 0 - 2 bar 60 50 µm, RA, 0 - 2 bar 12 5 µm, RMSA, 0 - 4 bar 22 20 µm, RMSA, 0 - 4 bar 32 50 µm, RMSA, 0 - 4 bar 42 5 µm, RA, 0 - 4 bar 52 20 µm, RA, 0 - 4 bar 62 50 µm, RA, 0 - 4 bar 14 5 µm, RMSA, 0 - 8 bar 24 20 µm, RMSA, 0 - 8 bar 34 50 µm, RMSA, 0 - 8 bar 44 5 µm, RA, 0 - 8 bar 54 20 µm, RA, 0 - 8 bar 64 50 µm, RA, 0 - 8 bar 16 5 µm, RMSA, 0 - 12 bar 26 20 µm, RMSA, 0 - 12 bar 36 50 µm, RMSA, 0 - 12 bar 46 5 µm, RA, 0 - 12 bar 56 20 µm, RA, 0 - 12 bar 66 50 µm, RA, 0 - 12 bar	L Lubricator	10 Manual filling from the top	1 1/8" port 2 1/4" port 3 3/8" port

RMSA: drain with manual condensate discharge and automatic discharge at zero pressure
 RA: automatic drain with condensate discharge, independent of pressure and flow rate

PURCHASE ORDER CODES HAVING A MORE FREQUENT USE

N.B. Besides the below mentioned codes, you can order elements composed at your will according to the key to codes.

Code	Description	Code	Description	Code	Description
5611B24L101	FR+LUB SY 1/8 20 08 RMSA	5612B24L102	FR+LUB SY 1/4 20 08 RMSA	5613B24L103	FR+LUB SY 3/8 20 08 RMSA
5611B54L101	FR+LUB SY 1/8 20 08 RA	5612B54L102	FR+LUB SY 1/4 20 08 RA	5613B54L103	FR+LUB SY 3/8 20 08 RA

V3V + FR + LUB SYNTESI®

For full details and list of components refer to the sections about shut-off valve, filter-regulator and lubricator.

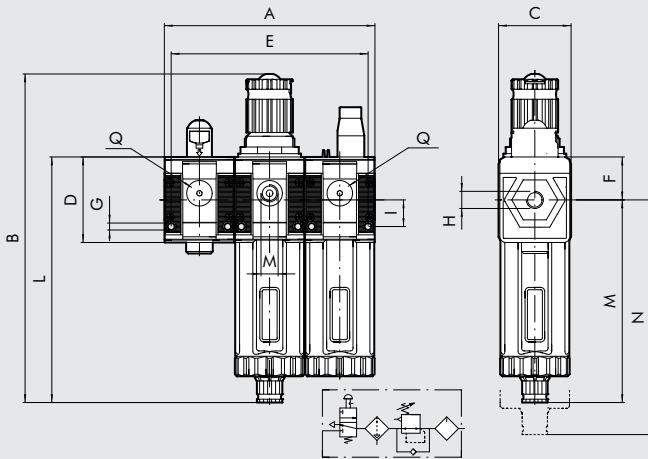


UNITS

V3V + FR + LUB Syntesi®

TECHNICAL DATA				
		1/8"	1/4"	3/8"
Threaded port				
Degree of filtration	μm	5 (yellow) - output air purity class ISO8573-1: 3.7.- 20 (white) - output air purity class ISO8573-1: 4.7.- 50 (blue) - output air purity class ISO8573-1: 5.7.-		
Max. inlet pressure	bar	15		
	MPa	1.5		
	psi	217		
Flow rate at 6.3 bar (0.63 MPa; 91 psi) ΔP 0.5 bar (0.05 MPa; 7 psi) (P In=10 bar)	Nl/min	250		
	scfm	9		
Flow rate at 6.3 bar (0.63 MPa; 91 psi) ΔP 1 bar (0.1 MPa; 14 psi) (P In=10 bar)	Nl/min	1050		
	scfm	37		
Relief valve flow rate at 6.3 bar (0.63 MPa; 91 psi)	Nl/min	70		
	scfm	2.5		
Min/max temperature at 10 bar; 1 MPa; 145 psi	°C	From -20 to +50		
Full outflow with zero inlet pressure		Included		
Drain flow rate at 6.3 bar (0.63 MPa; 91 psi)	Nl/min	500		
	scfm	18		
Padlockable knob		Included with both V3V and regulator		
Upstream pressure compensation		Included, via balanced valve		
Weight	g	598	593	584
Fluid		Compressed air or other inert gases		
Mounting position		Vertical		
Additional air take-off, for pressure gauges or fittings		1/8", front and rear		
Additional air take-off flow rate at 6.3 bar (0.63 MPa; 91 psi) ΔP 1 bar (0.1 MPa; 14 psi)	Nl/min	500 - 450		
	scfm	18 - 16		
Filter cup capacity	cm ³	30		
Quantity of filled oil	cm ³	60		
Condensate drain		RMSA: drain with manual condensate discharge and automatic discharge at zero pressure RA: automatic drain with condensate discharge, independent of pressure and flow rate Note: the maximum input pressure for the RA version must not exceed 10 bar ISO and UNI FD22 (Energol HPL; Spinesso; Mobil DTE; Tellus oil)		
Recommended oils		No. 2 M4 screws		
Wall fixing screws				

OVERALL DIMENSIONS



H (threaded port)		1/8"	1/4"	3/8"
A		126	126	128
B	RMSA		198	
	RA		202	
C			44	
D			51.5	
E			117.1	
F			25.8	
G		Hole for M4 screws		
I		16		
L		M30x1.5		
M	RMSA	148		
	RA	152		
M1 (pressure gauge port)		1/8"		
N	RMSA	122.2		
	RA	126.2		
O	RMSA	202		
	RA	206		
Q (no. 2 additional air takes-off)		1/8"		

KEY TO CODES

56	1	1	V	10	B	24	L	10	1
SYNTESI	SIZE	THREADED INPUT CONNECTION	ELEMENT	TYPE	ELEMENT	DEGREE OF FILTRATION, TYPE OF CONDENSATE DRAIN AND SETTING RANGE	ELEMENT	OIL FILLING	THREADED OUTPUT CONNECTION
56 Syntesi	1 Size 1	1 1/8" port 2 1/4" port 3 3/8" port	V V3V	10 Manual	B Filter-regulator	10 5 µm, RMSA, 0 - 2 bar 20 20 µm, RMSA, 0 - 2 bar 30 50 µm, RMSA, 0 - 2 bar 40 5 µm, RA, 0 - bar 50 20 µm, RA, 0 - 2 bar 60 50 µm, RA, 0 - 2 bar 12 5 µm, RMSA, 0 - 4 bar 22 20 µm, RMSA, 0 - 4 bar 32 50 µm, RMSA, 0 - 4 bar 42 5 µm, RA, 0 - 4 bar 52 20 µm, RA, 0 - 4 bar 62 50 µm, RA, 0 - 4 bar 14 5 µm, RMSA, 0 - 8 bar 24 20 µm, RMSA, 0 - 8 bar 34 50 µm, RMSA, 0 - 8 bar 44 5 µm, RA, 0 - 8 bar 54 20 µm, RA, 0 - 8 bar 64 50 µm, RA, 0 - 8 bar 16 5 µm, RMSA, 0 - 12 bar 26 20 µm, RMSA, 0 - 12 bar 36 50 µm, RMSA, 0 - 12 bar 46 5 µm, RA, 0 - 12 bar 56 20 µm, RA, 0 - 12 bar 66 50 µm, RA, 0 - 12 bar	L Lubricator	10 Manual filling from the top	1 1/8" port 2 1/4" port 3 3/8" port

RMSA: drain with manual condensate discharge and automatic discharge at zero pressure.
RA: automatic drain with condensate discharge, independent of pressure and flow rate.

PURCHASE ORDER CODES HAVING A MORE FREQUENT USE

N.B. Besides the below mentioned codes, you can order elements composed at your will according to the key to codes.

Code	Description	Code	Description
5611V10B24L101	V3V+FR+LUB SY 1/8 20 08 RMSA	5613V10B24L103	V3V+FR+LUB SY 3/8 20 08 RMSA
5611V10B54L101	V3V+FR+LUB SY 1/8 20 08 RA	5613V10B54L103	V3V+FR+LUB SY 3/8 20 08 RA
5612V10B24L102	V3V+FR+LUB SY 1/4 20 08 RMSA		
5612V10B54L102	V3V+FR+LUB SY 1/4 20 08 RA		

FIL + DEP SYNTESI®

For full details and list of components refer to the sections about filter and depurator.

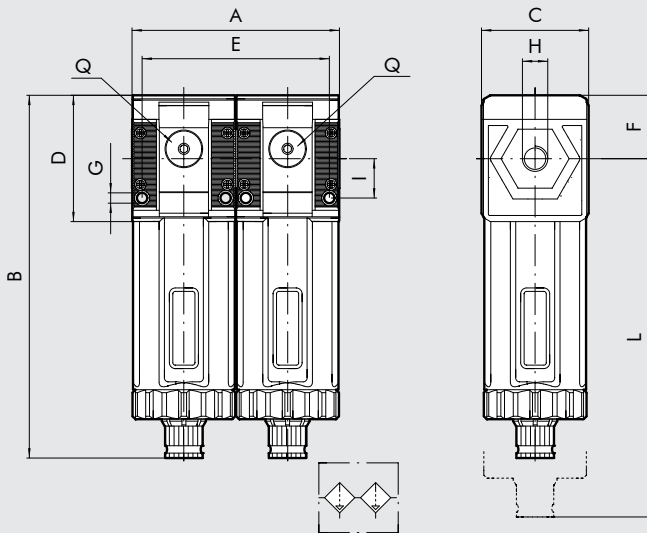


UNITS

FIL + DEP Syntesi®

TECHNICAL DATA		1/8"	1/4"	3/8"
Threaded port		1/8"	1/4"	3/8"
Purifier degree of filtration	µm	0.01 - output air purity class ISO8573-1: 1.7.2		
Filter degree of filtration	µm	5		
Max. inlet pressure	bar	15		
	MPa	1.5		
	psi	217		
Suggested flow rate at 6.3 bar (0.63 MPa; 91 psi)	Nl/min	550		
	scfm	9		
Maximum suggested flow rate		Look at the chart on the depurator page NB: flow rates higher than the recommended value reduces purification efficiency		
Min/max temperature at 10 bar; 1 MPa; 145 psi	°C	From -20 to +50		
Weight	Kg	358	353	344
Purifier condensate drain		RMSA: drain with manual condensate discharge and automatic discharge at zero pressure		
Filter condensate drain		RMSA: drain with manual condensate discharge and automatic discharge at zero pressure RA: automatic drain with condensate discharge, independent of pressure and flow rate Note: the maximum input pressure for the RA version must not exceed 10 bar		
Fluid		Compressed air or other inert gases		
Cup capacity filter/depurator	cm ³	30/15		
Mounting position		Vertical		
Port for additional air take-off		1/8", front and rear		
Additional air take-off flow rate (not purified air)	Nl/min	500		
at 6.3 bar (0.63 MPa; 91 psi) ΔP 1 bar (0.1 MPa; 14 psi)	scfm	18		
Wall fixing screws		No. 2 M4 screws		

DIMENSIONS



H (threaded port)	1/8"	1/4"	3/8"
A	84	84	86
B	RMSA	148	
	RA	152	
C		44	
D		51.5	
E		75.3	
F		25.8	
G		Hole for M4 screws	
I		16	
L	RMSA	202	
	RA	206	
Q (no. 2 additional air takes-off)		1/8"	

KEY TO CODES

56	1	1	F	10	D	10	1
SYNTESI	SIZE	THREADED INPUT CONNECTION	ELEMENT	DEGREE OF FILTRATION AND TYPE OF CONDENSATE DRAIN	ELEMENT	TYPE	THREADED OUTPUT CONNECTION
56 Syntesi	1 Size 1	1 1/8" port 2 1/4" port 3 3/8" port	F Filter	10 5 μm, RMSA 40 5 μm, RA	D Depurator	10 RMSA	1 1/8" port 2 1/4" port 3 3/8" port

RMSA: drain with manual condensate discharge and automatic discharge at zero pressure.
 RA: automatic drain with condensate discharge, independent of pressure and flow rate.

PURCHASE ORDER CODES HAVING A MORE FREQUENT USE

N.B. Besides the below mentioned codes, you can order elements composed at your will according to the key to codes.

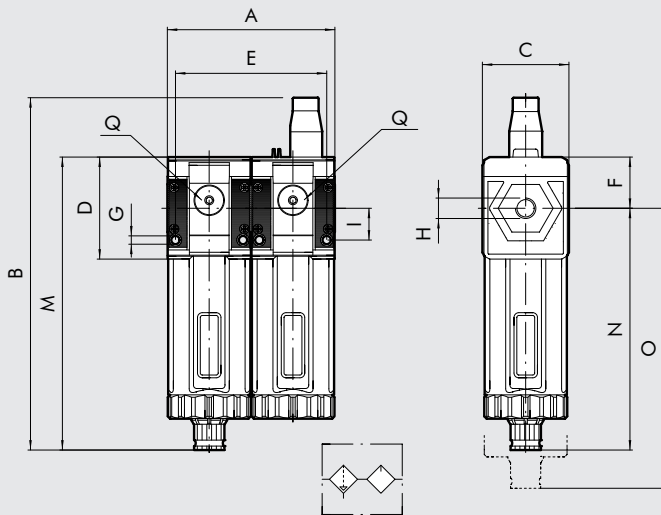
Code	Description
5611F10D101	FIL+DEP SY 1/8 05 RMSA
5611F40D101	FIL+DEP SY 1/8 05 RA
5612F10D102	FIL+DEP SY 1/4 05 RMSA
5612F40D102	FIL+DEP SY 1/4 05 RA
5613F10D103	FIL+DEP SY 3/8 05 RMSA
5613F40D103	FIL+DEP SY 3/8 05 RA

For full details and list of components refer to the sections about filter and lubricator.



TECHNICAL DATA		1/8"	1/4"	3/8"
Threaded port		1/8"	1/4"	3/8"
Degree of filtration	µm	5 (yellow) - output air purity class ISO8573-1: 3.7.- 20 (white) - output air purity class ISO8573-1: 4.7.- 50 (blue) - output air purity class ISO8573-1: 5.7.-		
Max. inlet pressure	bar	15		
	MPa	1.5		
	psi	217		
Flow rate at 6.3 bar (0.63 MPa; 91 psi) ΔP 0.5 bar (0.05 MPa; 7 psi)	Nl/min	860		
	scfm	30		
Flow rate at 6.3 bar (0.63 MPa; 91 psi) ΔP 1 bar (0.1 MPa; 14 psi)	Nl/min	1450		
	scfm	51		
Min/max temperature at 10 bar; 1 MPa; 145 psi	°C	From -20 to +50		
Weight	g	349	344	355
Fluid		Compressed air or other inert gases		
Mounting position		Vertical		
Additional air take-off, for pressure gauges or fittings		1/8", front and rear		
Additional air take-off flow rate at 6.3 bar (0.63 MPa; 91 psi) ΔP 1 bar (0.1 MPa; 14 psi)	Nl/min	500 - 450		
	scfm	18 - 16		
Filter cup capacity (condensate)	cm ³	30		
Quantity of filled oil	cm ³	60		
Condensate drain		RMSA: drain with manual condensate discharge and automatic discharge at zero pressure RA: automatic drain with condensate discharge, independent of pressure and flow rate Note: the maximum input pressure for the RA version must not exceed 10 bar ISO and UNI FD22 (Energol HPL; Spinesso; Mobil DTE; Tellus oil)		
Recommended oils		No. 2 M4 screws		
Wall fixing screws				

DIMENSIONS



H (threaded port)	1/8"	1/4"	3/8"
A	84	84	86
B		117.5	
C		44	
D		51.5	
E		75.3	
F		25.8	
G		Hole for M4 screws	
I		16	
L	RMSA	202	
	RA	206	
Q (no. 2 additional air takes-off)		1/8"	

KEY TO CODES

56	1	1	F	10	L	10	1
SYNTESI	SIZE	THREADED INPUT CONNECTION	ELEMENT	DEGREE OF FILTRATION AND TYPE OF CONDENSATE DRAIN	ELEMENT	OIL FILLING	THREADED OUTPUT CONNECTION
56 Syntesi	1 Size 1	1 1/8" port 2 1/4" port 3 3/8" port	F Filter	10 5 µm, RMSA 20 20 µm, RMSA 30 50 µm, RMSA 40 5 µm, RA 50 20 µm, RA 60 50 µm, RA	L Lubricator	10 Manual filling from the top	1 1/8" port 2 1/4" port 3 3/8" port

RMSA: drain with manual condensate discharge and automatic discharge at zero pressure.

RA: automatic drain with condensate discharge, independent of pressure and flow rate.

PURCHASE ORDER CODES HAVING A MORE FREQUENT USE

N.B. Besides the below mentioned codes, you can order elements composed at your will according to the key to codes.

Code	Description
5611F20L101	FIL+LUB SY 1/8 20 RMSA
5611F50L101	FIL+LUB SY 1/8 20 RA
5612F20L102	FIL+LUB SY 1/4 20 RMSA
5612F50L102	FIL+LUB SY 1/4 20 RA
5613F20L103	FIL+LUB SY 3/8 20 RMSA
5613F50L103	FIL+LUB SY 3/8 20 RA