

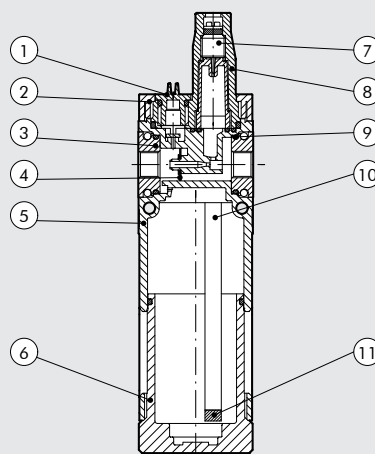
The pneumatic lubricator is the simplest way of efficiently lubricating the actuators linked to a circuit. As compressed air flows towards the lubricator, it encounters a flexible diaphragm which partially blocks the way, creating a small pressure difference between the inlet and outlet air. Being at the higher pressure, the oil in the cup is pumped through a tube with a filter towards the regulation pin. The quantity of oil can be metered accurately since the drops can be viewed through the transparent dome.



TECHNICAL DATA		1/8"	1/4"	3/8"
Threaded port		1/8"	1/4"	3/8"
Type of lubrication		Oil mist		
Version		Manual filling from the top		
Max. input pressure	bar	15		
	MPa	1.5		
	psi	217		
Flow rate at 6.3 bar (0.63 MPa; 91 psi) ΔP 0.5 bar (0.05 MPa; 7 psi)	Nl/min	1300	1700	2200
	scfm	46	60	78
Flow rate at 6.3 bar (0.63 MPa; 91 psi) ΔP 1 bar (0.1 MPa; 14 psi)	Nl/min	1600	3000	3650
	scfm	57	106	129
Min/max temperature at 10 bar; 1 MPa; 145 psi	°C	From -20 to +50		
Weight	g	185	180	171
Fluid		Compressed air or other inert gases		
Quantity of filled oil	cm ³	60		
Mounting position		Vertical		
Port for additional air take-off		1/8", front and rear, lubricated air		
Additional air take-off flow rate at 6.3 bar (0.63 MPa; 91 psi) ΔP 1 bar (0.1 MPa; 14 psi)	Nl/min	450		
	scfm	16		
Wall fixing screws		No. 2 M4 screws		
Recommended oils		ISO and UNI FD22 (Energol HPL; Spinesso; Mobil DTE; Tellus oil)		
Notes on use		Install the lubricator as close as possible to the point of use. Fill the lubricator bowl with oil before pressurizing the system. Do not use cleaning oils, brake fluid oils or solvents in general. For the best lubrication results, set the drip rate to one drop for 300-600 Nl		

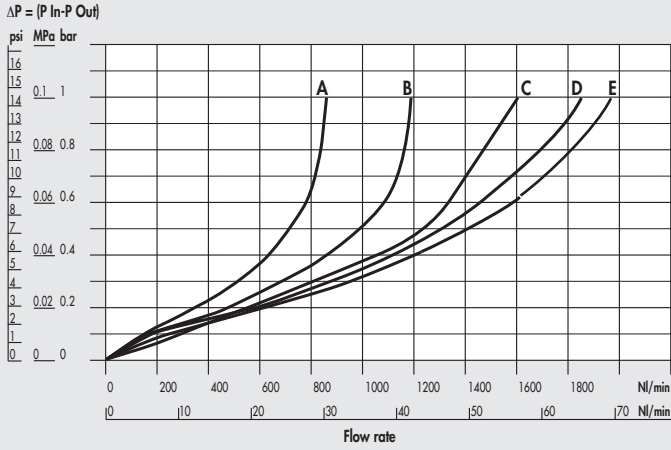
COMPONENTS

- ① Technopolymer oil filling plug
- ② Technopolymer flange
- ③ OT58 brass IN/OUT bushing
- ④ Venturi NBR diaphragm
- ⑤ Technopolymer body
- ⑥ Clear technopolymer cup
- ⑦ OT 58 brass oil flow regulation needle
- ⑧ Clear technopolymer cover
- ⑨ NBR o-ring gasket
- ⑩ Rilsan[®] oil suction pipe
- ⑪ Oil filter

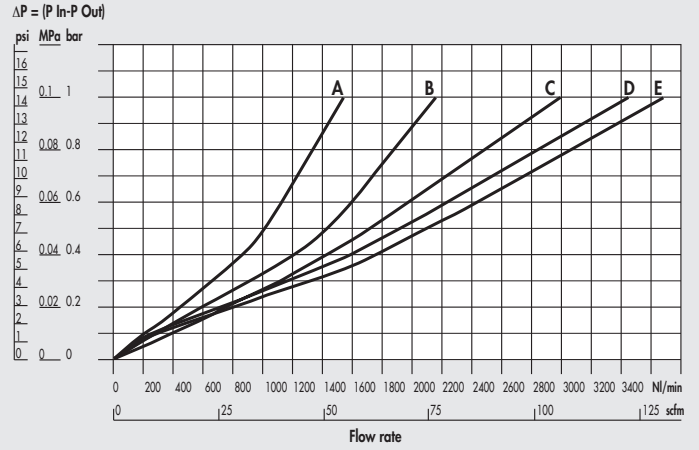


FLOW CHARTS

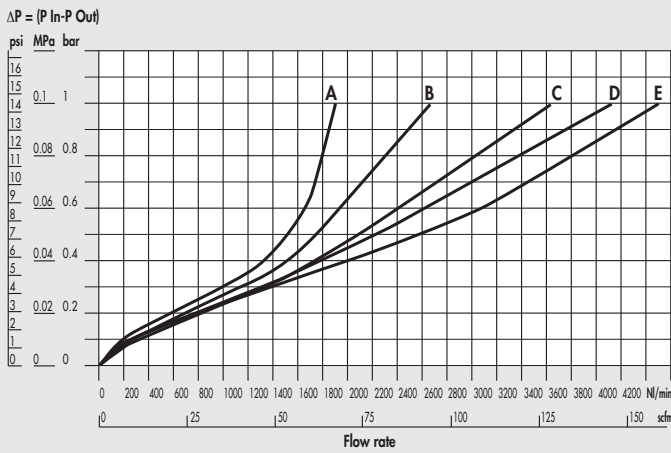
LUB Syntesi® 1/8"



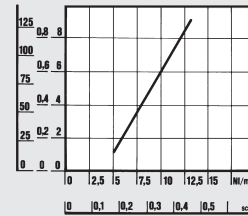
LUB Syntesi® 1/4"



LUB Syntesi® 3/8"

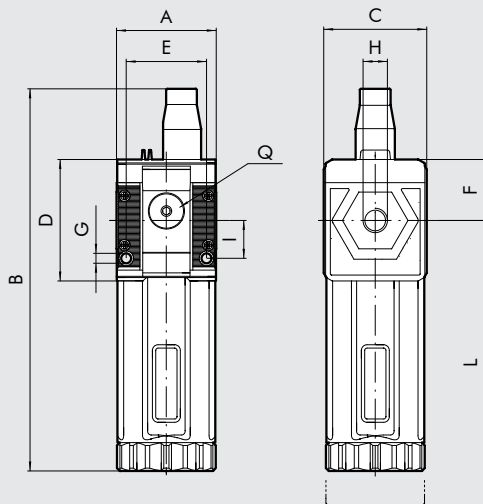


Minimum operating flow chart



- A = 2.5 bar - 0.25 MPa - 36 psi D = 8 bar - 0.8 MPa - 116 psi
 B = 4 bar - 0.4 MPa - 58 psi E = 10 bar - 1 MPa - 145 psi
 C = 6.3 bar - 0.63 MPa - 91 psi

DIMENSIONS



H (threaded port)	1/8"	1/4"	3/8"
A	42	42	44
B		162	
C		44	
D		51.5	
E		33.5	
F		25.8	
G		Hole for M4 screws	
I		16	
L		158	
Q (no. 2 additional air takes-off)		1/8"	

