

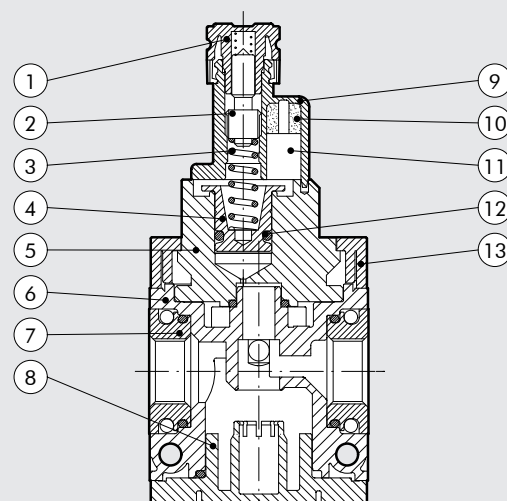
Syntesi® pressure switches feature a high degree of miniaturisation and a modern attractive design. As they are extremely modular, the Syntesi® series can be installed facing up or down. They come ready assembled with a 2-metre cable or an M8 connector with a 300-mm cable. The contact is the switching type, which means it can be normally open or normally closed. It can be regulated via a knurled push-lock handle.



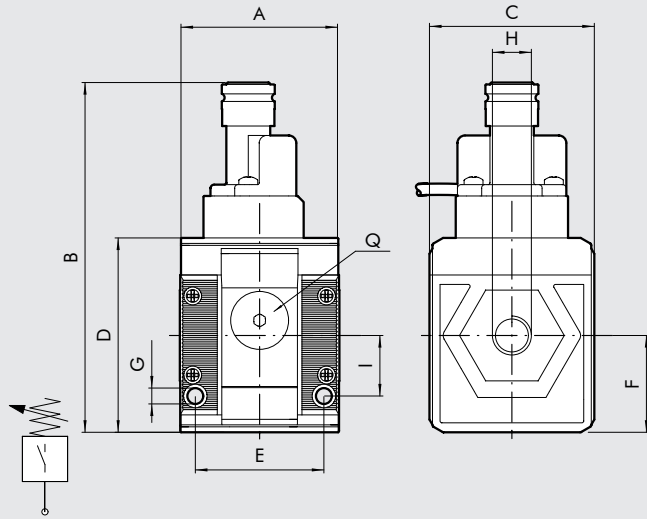
TECHNICAL DATA		1/8"	1/4"	3/8"
Threaded port		1/8"	1/4"	3/8"
Adjustable pressure interval	bar	From 0.5 to 10		
Hysteresis (not adjustable)	bar	From 0.4 to 0.8 (See diagram)		
Maximum pressure	bar	15		
	MPa	1.5		
	psi	217		
Operating temperature range at: 1 MPa; 10 bar; 145 psi	°C	50		
	°F	122		
Maximum current	A	2		
Maximum voltage	V	250		
Outside diameter of cable	mm	4.9		
Number of wires and cross section		3 x 0.5 mm <sup>2</sup>		
Contacts		Normally-Open (NO) and Normally-Closed (NC)		
Protection		IP65		
Number of switchings		5 x 10 <sup>6</sup>		
Fluid		Filtered lubricated or unlubricated compressed air. Lubrication, if used, must be continuous		
Mounting position		In any position		
Weight	g	255	250	241

## COMPONENTS

- ① Technopolymer adjusting "push lock" handle
- ② OT58 brass adjusting screw
- ③ Steel piston spring
- ④ OT58 brass piston
- ⑤ Aluminium top plug
- ⑥ Technopolymer body
- ⑦ OT58 brass IN/OUT bushing
- ⑧ Technopolymer bottom plug
- ⑨ Technopolymer pressure switch body
- ⑩ Resin finish for IP65
- ⑪ Electrical contact
- ⑫ O-ring NBR gasket
- ⑬ Technopolymer flange



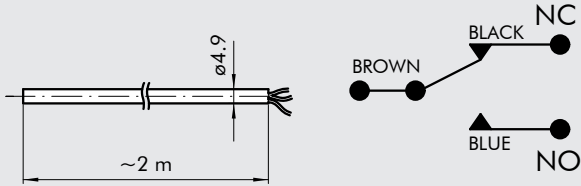
**DIMENSIONS**



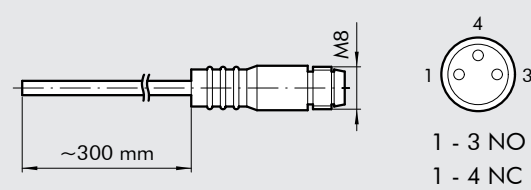
H (threaded port)	1/8"	1/4"	3/8"
A	42	42	44
B		93	
C		44	
D		51.5	
E		33.5	
F		25.6	
G		Hole for M4 screws	
I		16	
Q (no. 2 additional air takes-off)		1/8"	

**WIRING DIAGRAM**

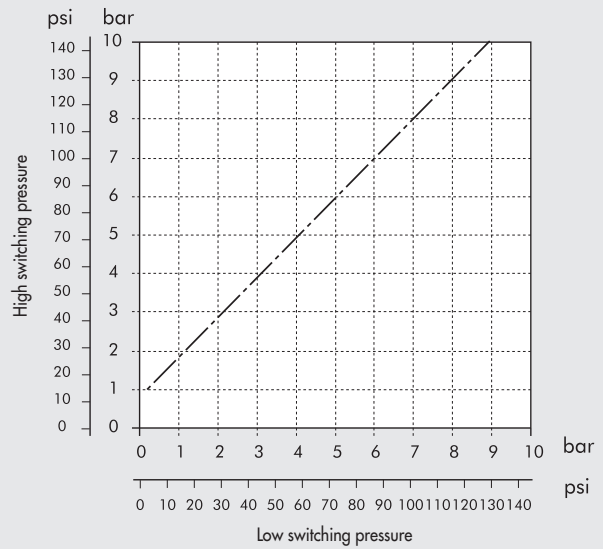
**VERSION WITH CABLE**



**VERSION WITH M8 CONNECTOR**



**HYSTERESIS GRAPH**

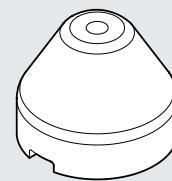


**ORDERING CODES**

Code	Description
5610S100	Pressure switch 2 m cable SY without bushings
5611S101	Pressure switch 2 m cable SY 1/8
5612S102	Pressure switch 2 m cable SY 1/4
5613S103	Pressure switch 2 m cable SY 3/8
5610S200	Pressure switch M8 connector SY without bushings
5611S201	Pressure switch M8 connector SY 1/8
5612S202	Pressure switch M8 connector SY 1/4
5613S203	Pressure switch M8 connector SY 3/8

**SPARES**

**SECURITY KNOB**



Code	Description
9200703	Security knob

NOTE: Pull outwards to remove the knob from the pressure switch on the unit. Insert the security knob and regulate the pressure switch. Then press the handle firmly to lock it in position. If the pressure switch needs to be reset, remove the security knob by forcing it laterally with a screwdriver.