

SYNTESI® SHUT-OFF VALVE

This device separates the compressed air circuit from the main air supply. It is a three-way valve that relieves the downstream system in the closed position. This makes it useful for maintenance operations or when the air supply to a machine or piece of equipment needs to be shut off.

Manual, pneumatic, electro-pneumatic and assisted electro-pneumatic control versions are available. The last version must be used if the inlet pressure is outside the electro-pneumatic valve operating range, so for particularly low or high pressures.

The manual version can be locked when the valve is in the closed position, using one or two padlocks.

There are two 1/8" ports, one on the front and one on the back, for use with pressure gauges or pressure switches or, considering the high flow rate, as additional air take-off.

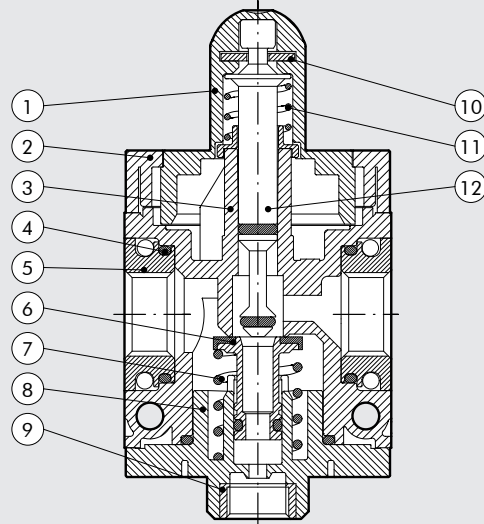


TECHNICAL DATA

	1/8"	1/4"	3/8"
Threaded port	1/8"	1/4"	3/8"
Threaded discharge port		1/8"	
Type of control	Manual - pneumatic - solenoid - solenoid pilot - assisted		
Max inlet pressure for pneumatic and solenoid pilot-assisted versions		bar 15 MPa 1.5 psi 217	
Inlet pressure for solenoid version		bar 3-10 MPa 0.3-1 psi 43-145	
Pilot pressure for pneumatic and solenoid pilot-assisted versions		bar 3-10 MPa 0.3-1 psi 43-145	
Flow rate at 6.3 bar (0.63 MPa; 91 psi) ΔP 0.5 bar (0.05 MPa; 7 psi)	Nl/min 800 scfm 28	1000 35	1100 39
Flow rate at 6.3 bar (0.63 MPa; 91 psi) ΔP 1 bar (0.1 MPa; 14 psi)	Nl/min 1100 scfm 39	1500 53	1600 57
Drain flow rate at 6.3 bar (0.63 MPa; 91 psi)	Nl/min 18 scfm 18	500	
Min/max temperature at 10 bar; 1 MPa; 145 psi	°C From -20 to +50		
Padlockable knob	Included		
Weight	g 197	192	183
Fluid	Compressed air or other inert gases		
Mounting position	In any position		
Additional air take-off, for pressure gauges or fittings	1/8", front and rear		
Additional air take-off flow rate at 6.3 bar (0.63 MPa; 91 psi) ΔP 1 bar (0.1 MPa; 14 psi)	Nl/min 500 scfm 18		
Wall fixing screws	No. 2 M4 screws		
Bobbin capacity for electro-pneumatic version	W 12VDC e 24VDC: 2W; 24VAC, 110VAC and 220 VAC: 3.5 VA		
Manual control of electro-pneumatic versions	Bistable, with screwdriver slot (horizontal = OFF, vertical = ON)		

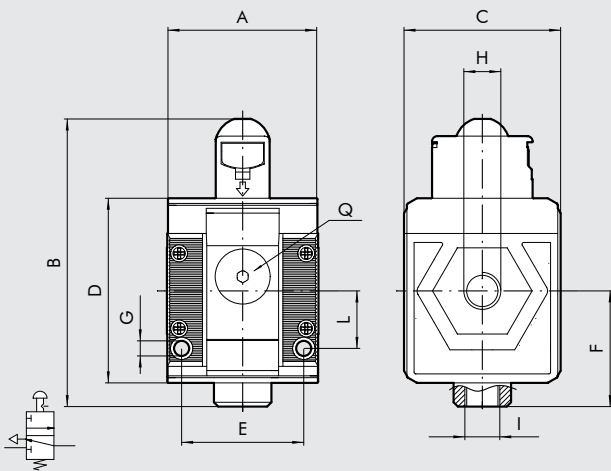
COMPONENTS

- ① Technopolymer knob
- ② Technopolymer hinge
- ③ Technopolymer body
- ④ NBR o-ring gasket
- ⑤ OT58 brass IN/OUT bushing
- ⑥ OT58 brass valve with NBR vulcanized gasket
- ⑦ Stainless steel valve spring
- ⑧ Technopolymer plug
- ⑨ OT58 brass threaded insert
- ⑩ Plate for knob locking
- ⑪ Stainless steel spring stem recovery
- ⑫ OT58 brass stem

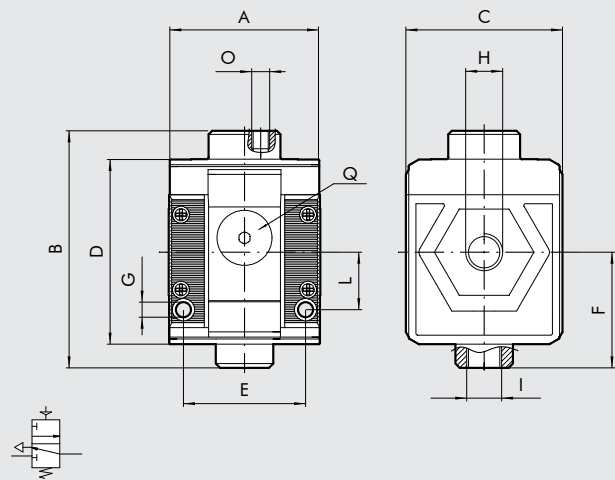


DIMENSIONS

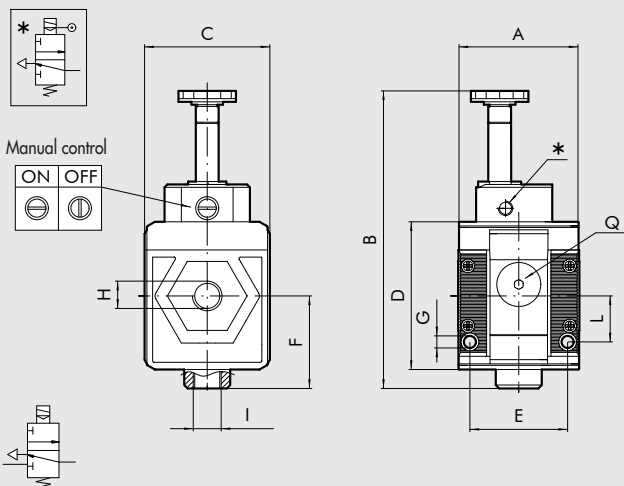
MANUAL



PNEUMATIC



SOLENOID/SOLENOID PILOT-ASSISTED*



	MANUAL			PNEUMATIC			SOLENOID/SOLENOID PILOT-ASSISTED		
	1/8"	1/4"	3/8"	1/8"	1/4"	3/8"	1/8"	1/4"	3/8"
H (threaded port)	42	42	44	42	42	44	42	42	44
A		80			66			104	
B		44			44			44	
C		51.5			51.5			51.5	
D		33.5			33.5			33.5	
E		32.2			32.2			32.2	
F		Hole for M4 screws			Hole for M4 screws			Hole for M4 screws	
G		1/8"			1/8"			1/8"	
I (exhaust)		16			16			16	
L		-			M5			-	
O (pilot)		1/8"			1/8"			1/8"	
Q (no. 2 additional air takes-off)		-			-			M5	
* Pilot		-			-			-	

KEY TO CODES

56	1	1	V	10	1
SYNTESI	SIZE	THREADED INPUT CONNECTION	ELEMENT	TYPE	THREADED OUTPUT CONNECTION
56 Syntesi	1 Size 1	0 Without bushing 1 1/8" port 2 1/4" port 3 3/8" port	V Shut-off valve	10 Manual 20 Pneumatic 30 Solenoid pilot-assisted 70 Solenoid	0 Without bushing 1 1/8" port 2 1/4" port 3 3/8" port

PURCHASE ORDER CODES HAVING A MORE FREQUENT USE

N.B. Besides the below mentioned codes, you can order elements composed at your will according to the key to codes.

Code	Description	Code	Description
5610V100	V3V SY manuale without bushings	5610V700	V3V SY solenoid without bushings
5611V101	V3V SY 1/8 manual	5611V701	V3V SY 1/8 solenoid
5612V102	V3V SY 1/4 manual	5612V702	V3V SY 1/4 solenoid
5613V103	V3V SY 3/8 manual	5613V703	V3V SY 3/8 solenoid
5610V200	V3V SY pneumatic without bushings		
5611V201	V3V SY 1/8 pneumatic		
5612V202	V3V SY 1/4 pneumatic		
5613V203	V3V SY 3/8 pneumatic		
5610V300	V3V SY solenoid pilot-assisted without bushings		
5611V301	V3V SY 1/8 solenoid pilot-assisted		
5612V302	V3V SY 1/4 solenoid pilot-assisted		
5613V303	V3V SY 3/8 solenoid pilot-assisted		

NOTES

UNITS

Syntesi® SHUT-OFF VALVE