

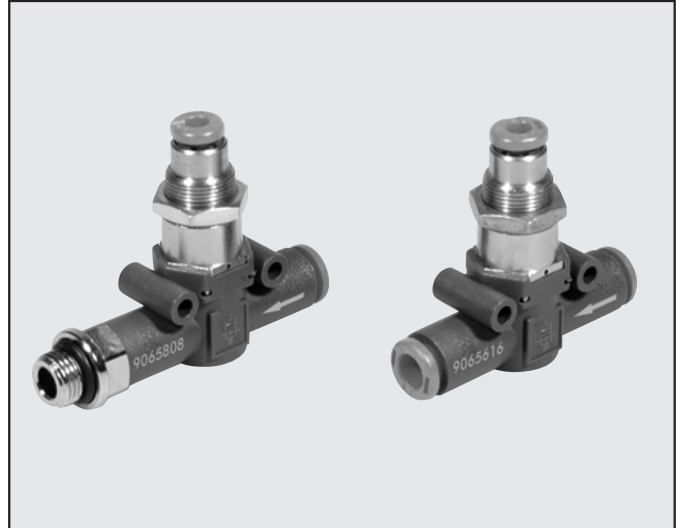
IN-LINE STOP VALVE Series STP L

The STP L stop valve belongs to the LINE ON LINE® family and can be connected in series or in parallel with the other products in the same family.

It is available in a version for pipe-pipe connection, which includes two push-in fittings, and a version for thread-pipe connection, which includes a nickel-plated brass male thread and a push-in fitting. The stop valve is normally mounted on the inlet port of cylinders and allows the flow of air only in the presence of a pneumatic pilot. Cylinder movement ceases if there is a drop in pneumatic pilot pressure.

The compressed air port is a push-in fitting for Ø 4 pipe. This stop valve is available in a unidirectional version, so the flow can be interrupted in one direction, but remains free in the other direction.

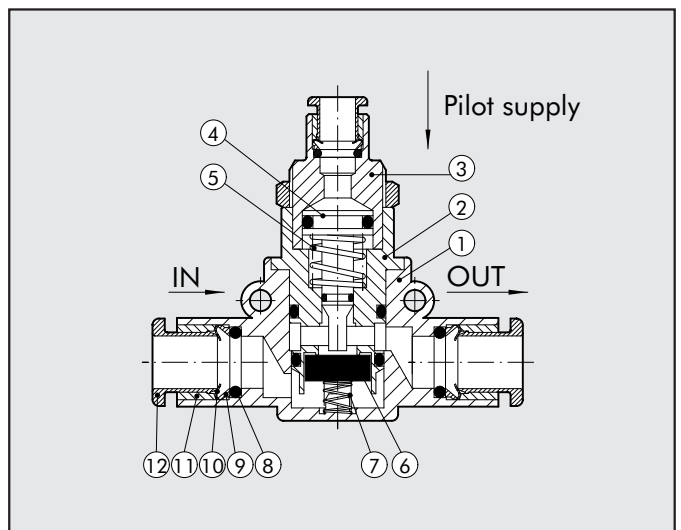
This valve can also be used as a unidirectional normally-closed 2/2 pneumatic control valve.



TECHNICAL DATA		Ø 6	Ø 8
Max. operating pressure	MPa	1	
	bar	10	
	psi	145	
Temperature range	°C	-20 ÷ +60	
	°F	-4 ÷ +140	
Recommended pipe		Rilsan PA 11 – Nylon 6 – Polyamide 12 - Polypropylene	
Fluid		Lubricated or unlubricated filtered air	
Compatibility with oils:		see GENERAL CATALOGUE page 6.1/08 or webpage www.metalwork.it/eng/materiali_compatibilita.html	

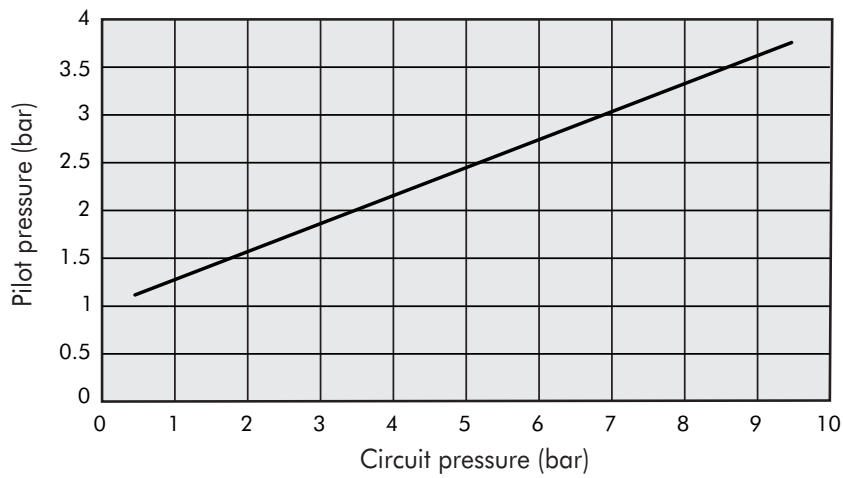
COMPONENTS

- ① Technopolymer body
- ② Nickel-plated brass insert
- ③ Nickel-plated brass pilot insert
- ④ Brass piston rod
- ⑤ Stainless steel clamping spring
- ⑥ NBR seal
- ⑦ Stainless steel poppet spring
- ⑧ NBR seal
- ⑨ Technopolymer spring ring
- ⑩ Stainless steel clip-on spring
- ⑪ Technopolymer stop bushing
- ⑫ Technopolymer release bushing

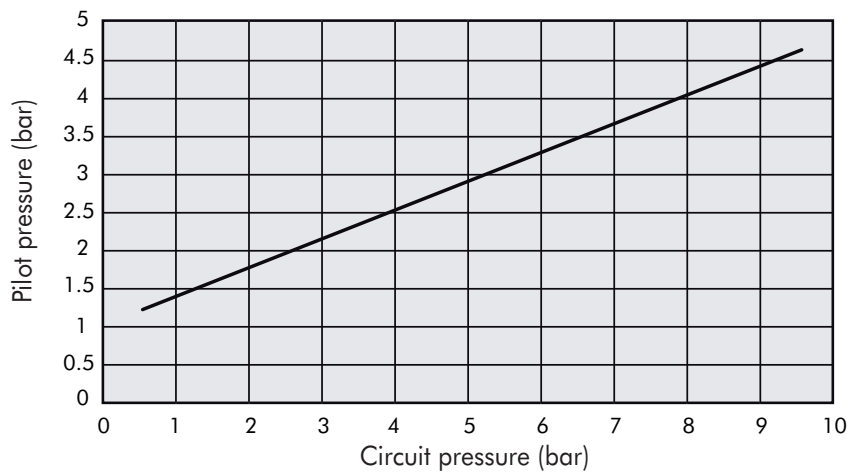




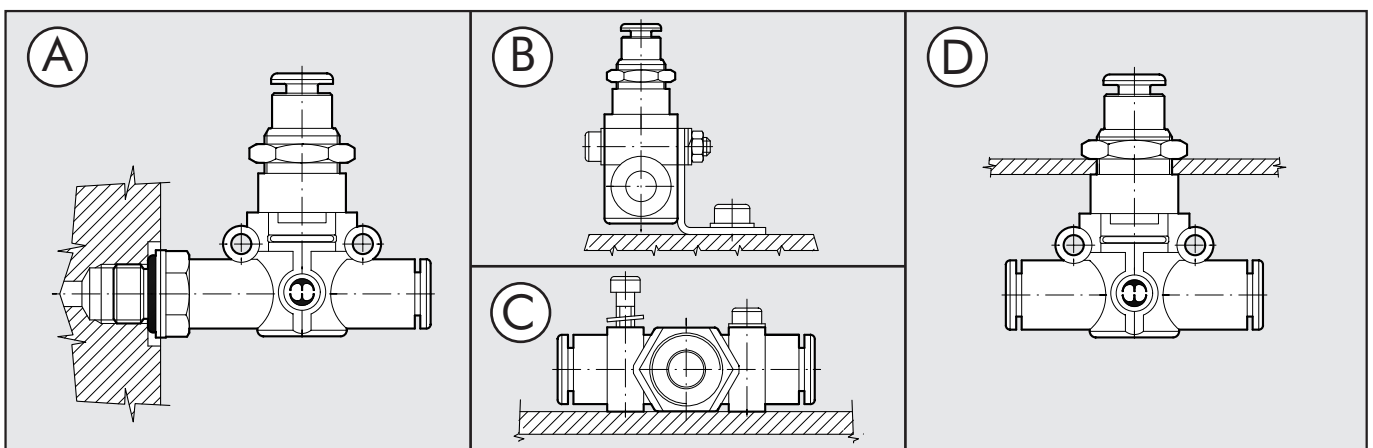
MINIMUM PILOT PRESSURE STP L Ø6



MINIMUM PILOT PRESSURE STP L Ø8



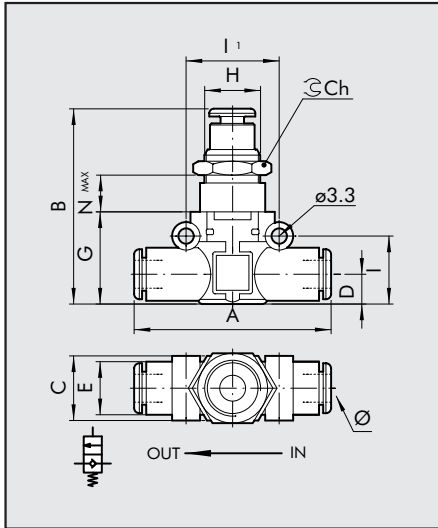
ASSEMBLY OPTIONS



How to mount the STP L:

- Fig. A: With the male threaded port it is possible to mount the STP L straight onto the actuator or the control valve.
- Fig. B: Fixing to the plate with the special SQU L bracket.
- Fig. C: There are two robust rings on the plastic body for fixing the STP L straight onto the wall.
- Fig. D: The ring nut is screwed onto the threaded metal part of the STP L body for panel mounting.

STP L 2/2 - 3/2 PIPE - PIPE



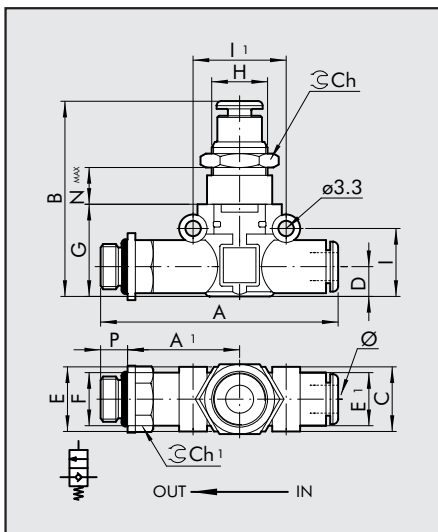
Code	Ref.	Ø	A	B	C	D	E	G	H	I
------	------	---	---	---	---	---	---	---	---	---

9065616	STP L 2/2 Ø6 - Ø6	6	49.4	43.2	14.7	6.4	11.4	20	M12x0.75	14.6
9065624	STP L 2/2 Ø8 - Ø8	8	57.3	49.7	18.7	9.1	13.8	26	M15x1	18.7

I1	CH	Nmax
----	----	------

20	15	4.7
24	17	4

STP L 2/2 - 3/2 PIPE - THREAD



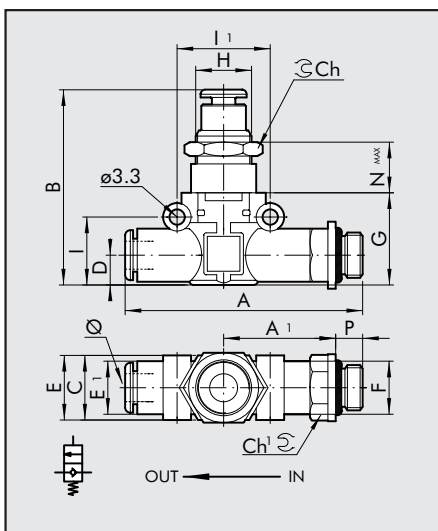
Code	Ref.	F	Ø	P	A	A1	B	C	D	E	E1
------	------	---	---	---	---	----	---	---	---	---	----

9065808	STP L 2/2 Ø6 - 1/8	1/8	6	6	58.5	27.8	43.2	14.7	6.4	14	11.4
9065809	STP L 2/2 Ø6 - 1/4	1/4	6	8	61.5	28.8	43.2	14.7	6.4	18	11.4
9065810	STP L 2/2 Ø8 - 1/8	1/8	8	6	66.2	31.8	49.7	18.7	9.1	15	13.8
9065811	STP L 2/2 Ø8 - 1/4	1/4	8	8	70.6	34.2	49.7	18.7	9.1	18	13.8
9065812	STP L 2/2 Ø8 - 3/8	3/8	8	9	72.2	34.8	49.7	18.7	9.1	22	13.8

G	H	I	I1	CH	Nmax
---	---	---	----	----	------

20	M12x0.75	14.6	20	15	4.7
20	M12x0.75	14.6	20	15	4.7
26	M15x1	18.7	24	17	4
26	M15x1	18.7	24	17	4
26	M15x1	18.7	24	17	4

STP L 2/2 THREAD - PIPE



Code	Ref.	Ø	F	P	A	A1	B	C	D	E	E1	G
------	------	---	---	---	---	----	---	---	---	---	----	---

9065708	STP L 2/2 1/8 - Ø6	6	1/8	6	58.5	27.8	43.2	14.7	6.4	14	11.4	20
9067709	STP L 2/2 1/4 - Ø6	6	1/4	8	61.5	28.8	43.2	14.7	6.4	18	11.4	20
9067710	STP L 2/2 1/8 - Ø8	8	1/8	6	66.2	31.8	49.7	18.7	9.1	15	13.8	26
9067711	STP L 2/2 1/4 - Ø8	8	1/4	8	70.6	34.2	49.7	18.7	9.1	18	13.8	26
9067712	STP L 2/2 3/8 - Ø8	8	3/8	9	72.2	34.8	49.7	18.7	9.1	22	13.8	26

H	I	I1	CH	Nmax
---	---	----	----	------

M12x0.75	14.6	20	15	4.7
M12x0.75	14.6	20	15	4.7
M15x1	18.7	24	17	4
M15x1	18.7	24	17	4
M15x1	18.7	24	17	4



LINE ON LINE® ACCESSORIES

FIXING SQUARE KIT		Code	Description	A	B	C	F	I	I1	I2	I3	I4	I5	S
		9062110	SQU L	30	22	14.5	4.2	6.8	4.8	5.9	9.1	2	6.5	1.2
		NOTE: comes with two m3x16 screws (for L.O.L. Ø 6 - 8), two m3 hexagonal nuts, 2 groovebars, 4 washers.												

U-BOLT		Code	Description
	9062216	TUB L 6-6	
	9062224	TUB L 8-8	

NOTES

METAL WORK S.p.A
 Head office: Via Segni, 5-7-9 25062 - Concesio (Brescia) Italy - Tel. 030 21 87 11 - Fax 030 21 80 569
 www.metalwork.it - metalwork@metalwork.it
 The dimensions shown in this catalogue are subject to variations at any time without prior notice