

IN-LINE CHECK VALVE

Series VNR L



The VNR L check valve belongs to the LINE ON LINE® family, which means it can be connected to all the other components in series or in parallel.

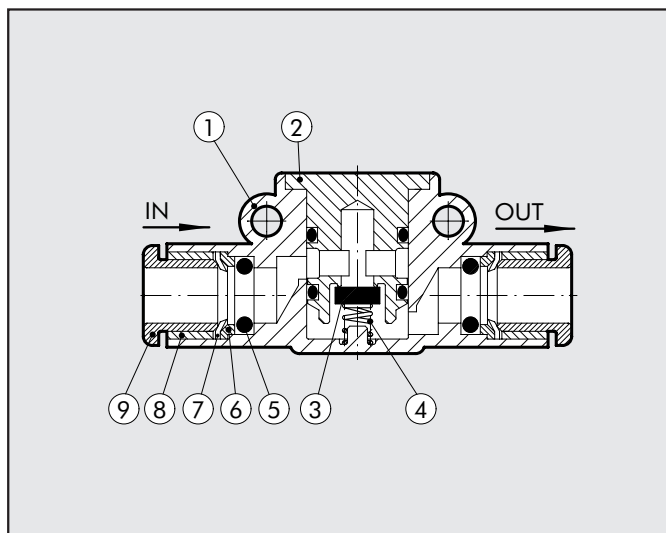
Available in the version for pipe-pipe connection with two push-in fittings, and in the version for thread-pipe connection with a brass nickel-plated male thread and a push-in fitting. It is still the only check valve with holes for wall mounting.



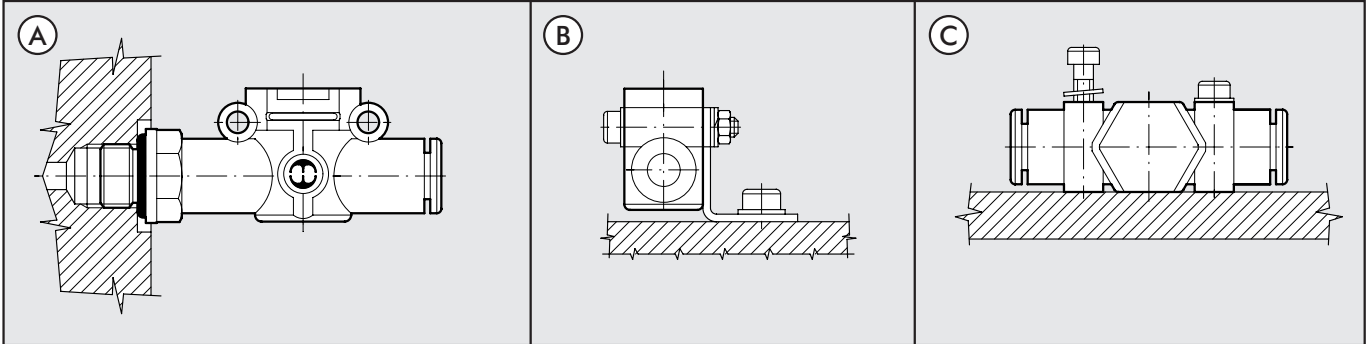
TECHNICAL DATA		Ø 4	Ø 6	Ø 8
Operating pressure	MPa		0.05 to 1.2	
	bar		0.5 to 12	
	psi		7.2 to 174	
Temperature range	°C		-20°C to +60°C	
	°F		-4°F to +140°F	
Flow rate at 6.3 bar ΔP 1 bar	Nl/min	80	320	480
Recommended pipe		Rilsan PA 11 – Nylon 6 – Polyamide12 – Polypropylene		
Fluid		lubricated or unlubricated filtered compressed air		

COMPONENT PARTS

- ① Technopolymer body
- ② Nickel-plated brass insert
- ③ NBR valve
- ④ Stainless steel valve compression spring
- ⑤ NBR gasket
- ⑥ Technopolymer spring ring
- ⑦ Stainless steel folding spring
- ⑧ Technopolymer locking bushing
- ⑨ Technopolymer release bushing



ASSEMBLY OPTIONS

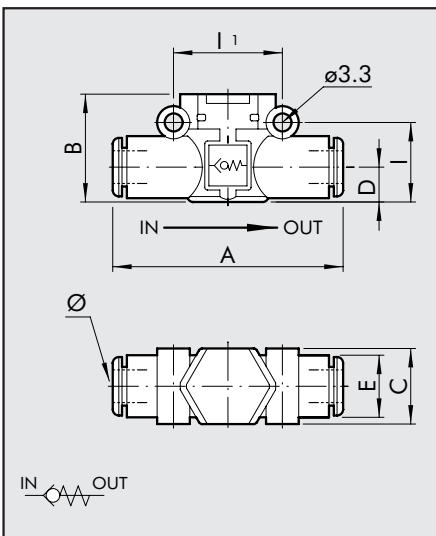


How to mount the VNR L:

- Fig. A: With the male threaded port it is possible to mount the VNR L straight onto the female thread.
- Fig. B: Fixing to the plate with the special SQU L bracket.
- Fig. C: There are two robust rings on the plastic body for fixing the VNR L straight onto the wall.

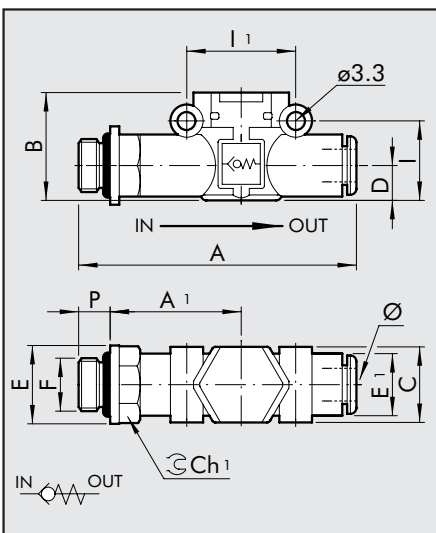
OVERALL DIMENSIONS AND ORDERING CODES

VNR L PIPE-PIPE



Code	Ref.	Ø	A	B	C	D	E	I	I1
9064001	VNR L 4-4	4	42	17.5	10.7	5.6	10	12.8	16
9064016	VNR L 6-6	6	49.4	20	14.7	6.4	11.4	14.6	20
9064024	VNR L 8-8	8	57.3	25.5	18.7	9.1	13.8	18.7	24

VNR L THREAD-PIPE

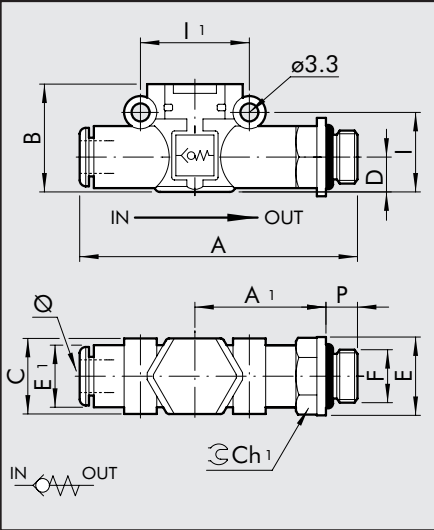


Code	Ref.	F	Ø	P	A	A1	B	C	E	E1	I	I1	Ch
9064101	VNR L M5-4	M5	4	4	47.7	22.7	17.5	10.7	9.9	10	12.8	16	9
9064102	VNR L 1/8-4	1/8	4	6	51.6	24.6	17.5	10.7	14	10	12.8	16	12
9064108	VNR L 1/8-6	1/8	6	6	58.5	27.8	20	14.7	14	11.4	14.6	20	12
9064109	VNR L 1/4-6	1/4	6	8	61.5	28.8	20	14.7	18	11.4	14.6	20	14
9064110	VNR L 1/8-8	1/8	8	6	66.2	31.8	25.5	18.7	15	13.8	18.7	24	14
9064111	VNR L 1/4-8	1/4	8	8	70.6	34.2	25.5	18.7	18	13.8	18.7	24	14
9064112	VNR L 3/8-8	3/8	8	9	72.2	34.8	25.5	18.7	22	13.8	18.7	24	17



VNR L PIPE-THREAD

Code Ref. Ø F P A A1 B C E E1 I I1 Ch



9064201	VNR L 4-M5	4	M5	4	47.7	22.7	17.5	10.7	9.9	10	12.8	16	9
9064202	VNR L 4-1/8	4	1/8	6	51.6	24.6	17.5	10.7	14	10	12.8	16	12
9064208	VNR L 6-1/8	6	1/8	6	58.5	27.8	20	14.7	14	11.4	14.6	20	12
9064209	VNR L 6-1/4	6	1/4	8	61.5	28.8	20	14.7	18	11.4	14.6	20	14
9064210	VNR L 8-1/8	8	1/8	6	66.2	31.8	25.5	18.7	15	13.8	18.7	24	14
9064211	VNR L 8-1/4	8	1/4	8	70.6	34.2	25.5	18.7	18	13.8	18.7	24	14
9064212	VNR L 8-3/8	8	3/8	9	72.2	34.8	25.5	18.7	22	13.8	18.7	24	17

NOTES